

# FAX-L200

# FAX-L280

# PARTS

# CATALOG

REVISION 0

FAX-L200	H12-2033	230V	EC
FAX-L200	H12-2034	230V	UK
FAX-L200	H12-2035	230V	GER
FAX-L200	H12-2037	230V	FRN
FAX-L280	H12-2043	230V	EC
FAX-L280	H12-2044	230V	UK
FAX-L280	H12-2045	230V	GER
FAX-L280	H12-2047	230V	FRN
TELEPHONE 6 KIT	H12-3603	230V	EU
TELEPHONE 6 KIT	H12-3614	230V	UK

**Canon**

APR. 2001

**HY8-30AM-000**



## **Application**

This manual has been issued by Canon Inc. for qualified persons to learn technical theory, installation, maintenance, and repair of products. This manual covers all localities where the products are sold. For this reason, there may be information in this manual that does not apply to your locality.

## **Corrections**

This manual may contain technical inaccuracies or typographical errors due to improvements or changes in products. When changes occur in applicable products or in the content of this manual, Canon will release technical information as the need arises. In the event of major changes in the contents of this manual over a long or short period, Canon will issue a new editions of this manual.

**The following paragraph does not apply to any countries where such provisions are inconsistent with local law.**

## **Trademarks**

The product names and company names described in this manual are the registered trademarks of the individual companies.

## **Copyright**

This manual is copyrighted with all rights reserved. Under the copyright laws, this manual may not be copied, reproduced or translated into another language, in whole or in part, without the written consent of Canon Inc.

**Copyright © 2001 by Canon Inc.**

**CANON INC.**

**Office Imaging Consumer Products Quality Assurance Dept. 1**

**5-1 Hakusan 7-Chome, Toride-city, Ibaraki 302-8501, Japan**

## **DTP System**

The data contained on this manual were created using Windows 95 computers.

Document creation and page layout were performed using Adobe® PageMaker® 6.5.

Logos and illustrations were created using Adobe® Illustrator® 9.0J.



# I. CONTENTS

1. ILLUSTRATION INDEX
2. PARTS LAYOUT & PARTS LIST
3. TOOL
4. LUBRICATIONS
5. NUMERICAL INDEX



# II. ABOUT THIS MANUAL

## 1. ILLUSTRATION INDEX

For illustration index, the parts layout illustrations in this parts catalog are listed in abbreviated form in order of illustration number to identify the pages they appear on. To find an illustration of a part, see the ILLUSTRATION INDEX.

## 2. PARTS LAYOUT & PARTS LIST

### Parts layout illustration

#### a) Parts search

Find a part from the parts layout illustration and find its key number from the parts list to identify the part number and name.

Further, screws, nuts, washers, grip rings, pins and spacers are mentioned in the parts list.

**Note:** If parts have the same or similar shape but different specifications, their key number is assigned to several part numbers and names in the parts list.

#### b) Parts replacement procedure

The parts layout illustrations are arranged according to the disassembly procedure of the product. When a unit in the illustration can be disassemble further, a reference illustration page of the disassembly will be included.

Parts where grease is to be applied are displayed as "Lubrication". When replacing parts, or if grease has accidentally been wiped off, refer to "4". (Lubrications), and reapply the grease.

The letters ( A , B etc.) in the illustration indicate the connection locations of cables and screws.

### Parts list

#### a) FIGURE & KEY No.

The FIGURE & KEY No. column corresponds to the key numbers assigned to the parts in the parts layout illustration.

It also corresponds to the part locations printed on the PC board.

#### b) PART NUMBER

The PART NUMBER column gives the part numbers corresponding to the key numbers. To order a part, indicate the part number clearly.

**Note:** Parts marked NPN are not service parts.

#### c) RANK

The service parts with N in the RANK column are order parts.

#### d) QTY

The QTY column gives the number of parts in the corresponding components layout illustration.

#### e) DESCRIPTION

The DESCRIPTION column gives the part names in English.

To order a part, indicate the part name, too.

## 3. TOOL

This is a list of tools used for servicing products.

## 4. LUBRICATIONS

Where grease is to be applied in order to allow moving parts to work smoothly, and to increase conductivity, the type and amount of grease to be used will be mentioned.

## 5. NUMERICAL INDEX

All the parts listed in this parts catalog are arranged in order of part number. You can identify part locations and names from the NUMERICAL INDEX.

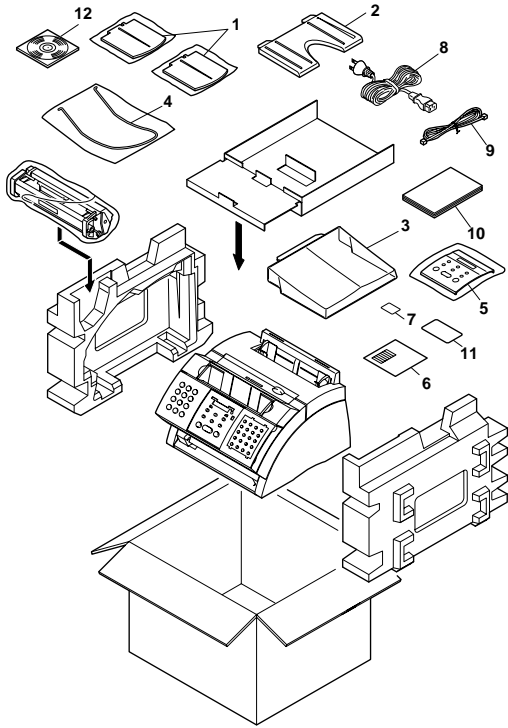




# 1. ILLUSTRATION INDEX

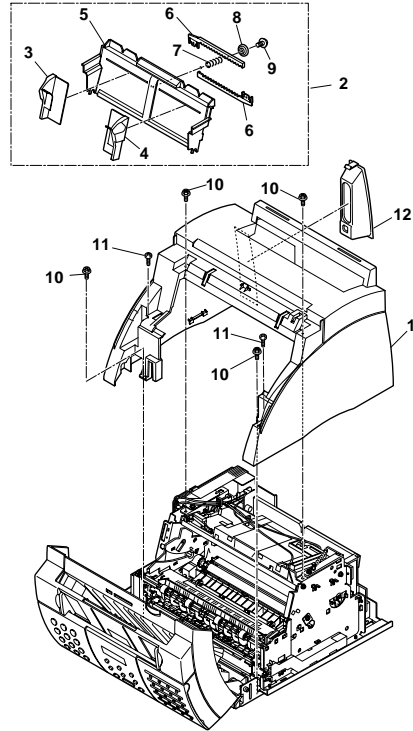
**FIGURE 1** PACKAGE CONTENTS

See Page  
2-1



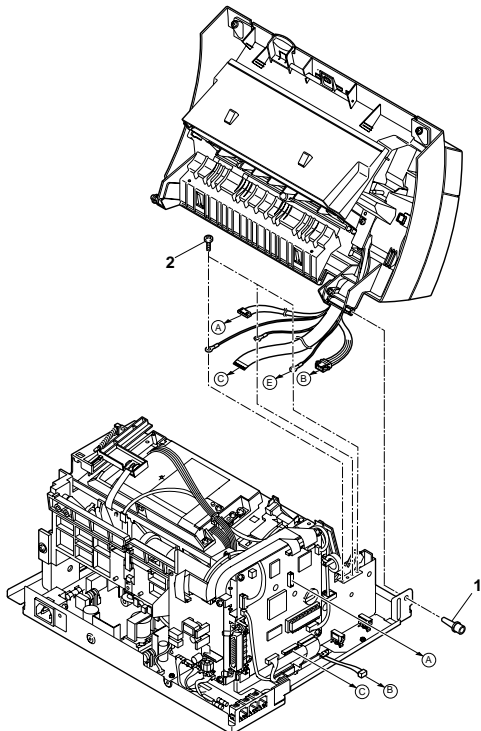
**FIGURE 2** COVERS & TRAY ASS'Y

See Page  
2-3



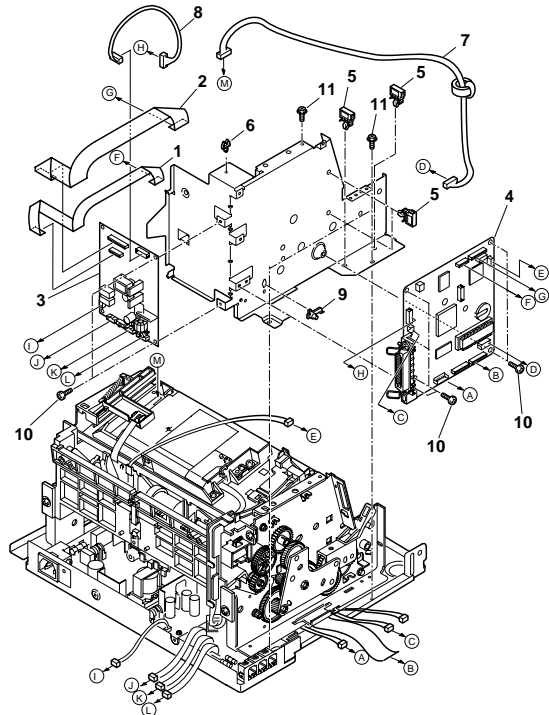
**FIGURE 3** READING ASS'Y & MAIN FRAME

See Page  
2-5



**FIGURE 4** CIRCUIT BOARDS & MAIN FRAME

See Page  
2-7

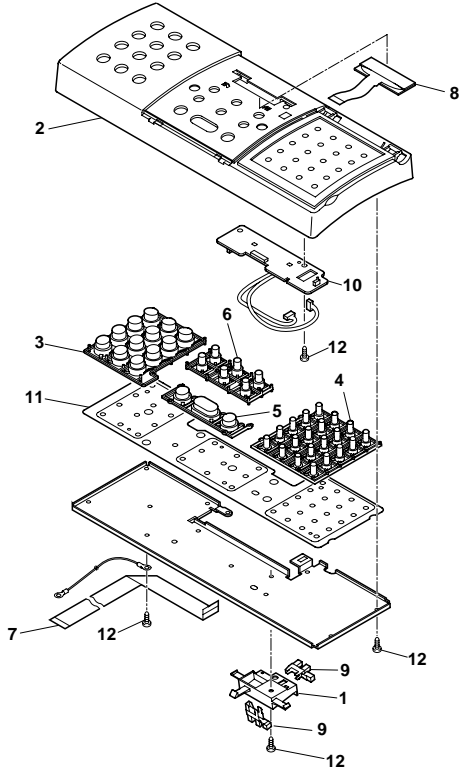


<p><b>FIGURE 5</b>    <b>CIRCUIT BOARDS &amp; BOTTOM PLATE</b></p>	<p>See Page 2-9</p>	<p><b>FIGURE 6</b>    <b>READING ASS'Y 1</b></p>	<p>See Page 2-11</p>
<p><b>FIGURE 7</b>    <b>READING ASS'Y 2</b></p>	<p>See Page 2-13</p>	<p><b>FIGURE 8</b>    <b>OPERATION PANEL ASS'Y &amp; ADF UPPER</b></p>	<p>See Page 2-15</p>
<p style="text-align: center;">See FIGURE 10</p>	<p>* = Lubrication See page 4-1</p>		

**FIGURE 9**

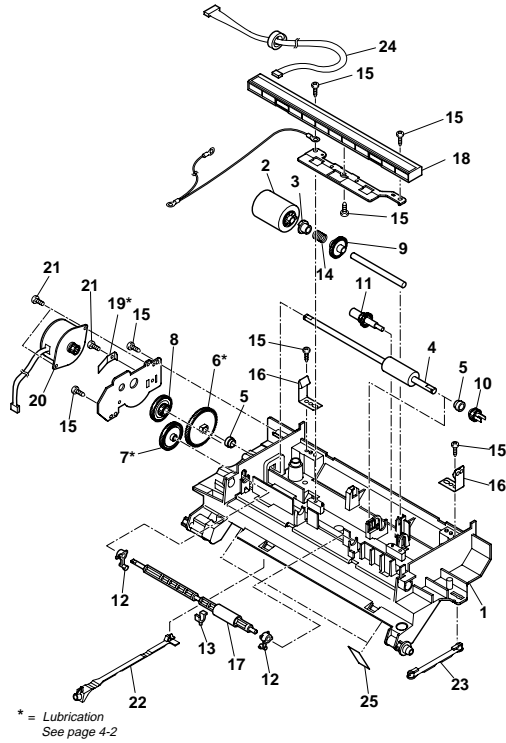
**OPERATION PANEL ASS'Y**

See Page 2-17



**FIGURE 10** ADF LOWER

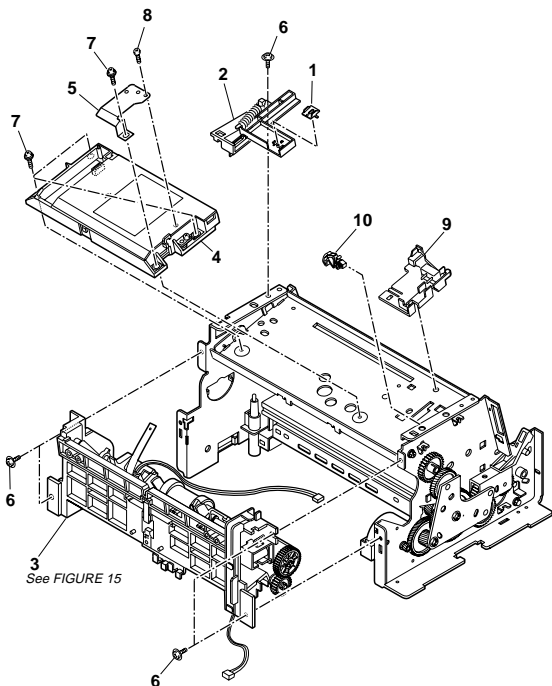
See Page 2-19



**FIGURE 11**

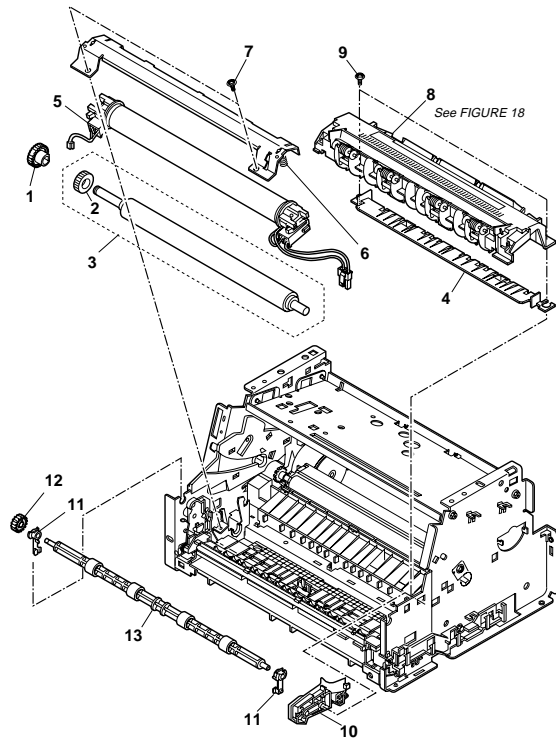
**SCANNER ASS'Y**

See Page 2-21



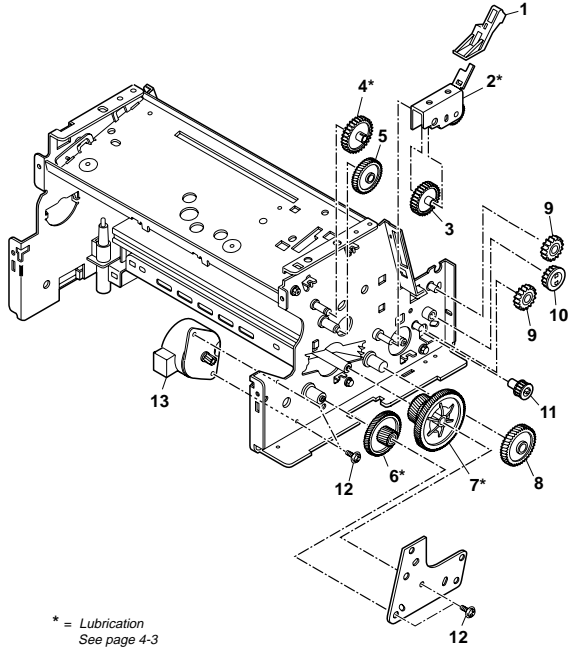
**FIGURE 12** FIXING SECTION 1

See Page 2-23



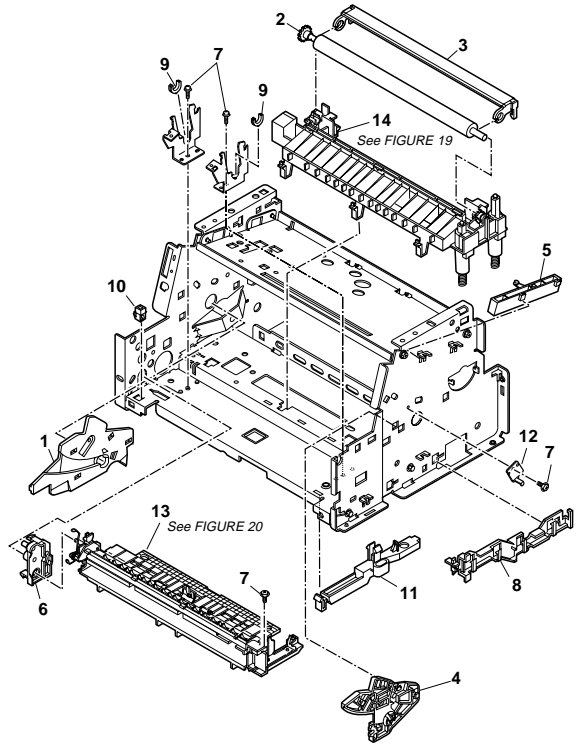
**FIGURE 13** DRIVE GEARS

See Page  
2-25



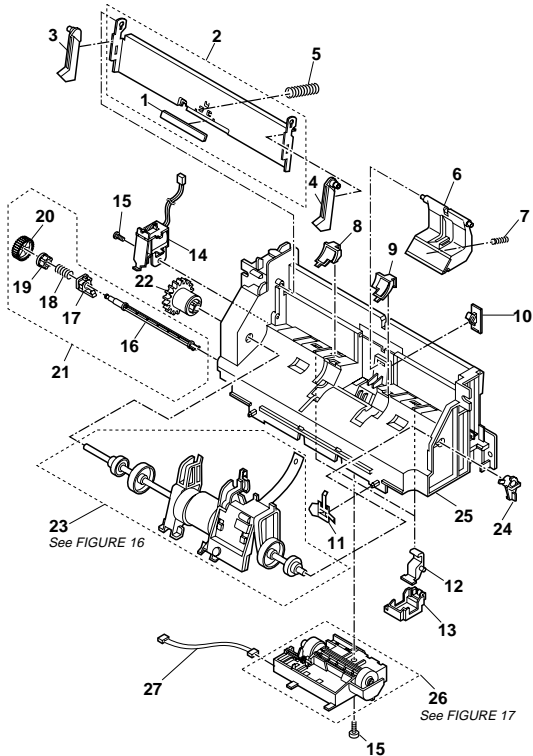
**FIGURE 14** FIXING SECTION 2

See Page  
2-27



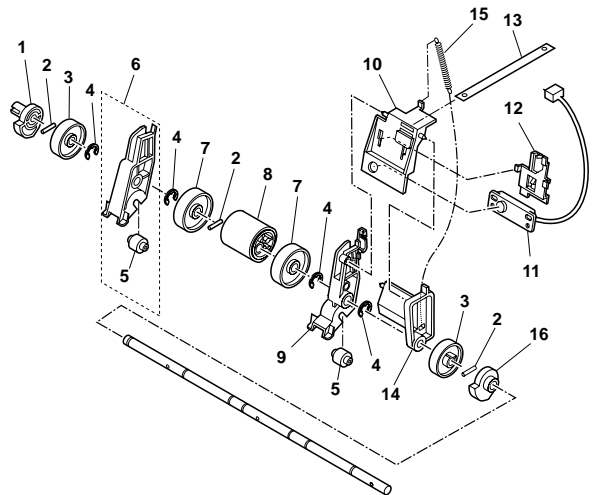
**FIGURE 15** PAPER FEED SECTION

See Page  
2-29



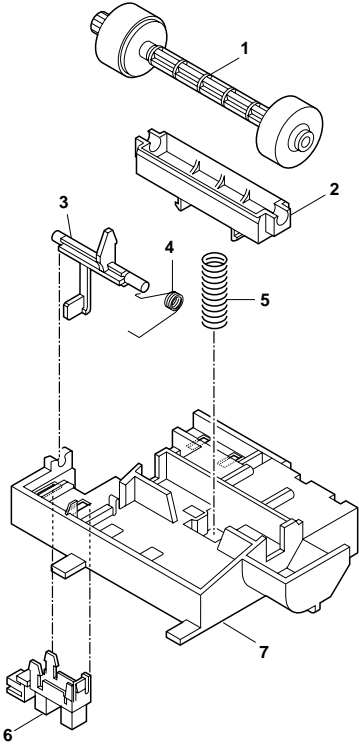
**FIGURE 16** PICK-UP ROLLER ASS'Y

See Page  
2-31



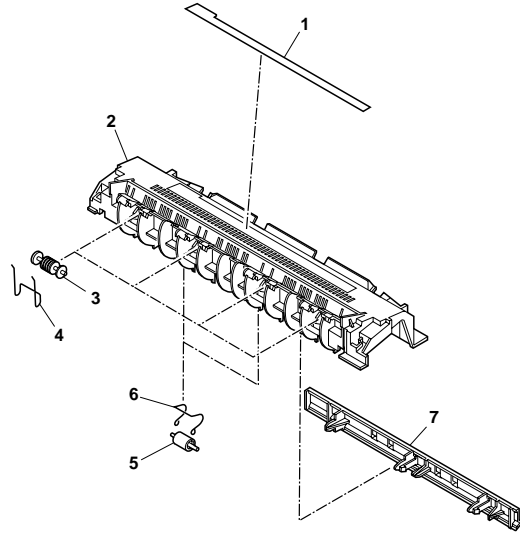
**FIGURE 17** FEEDER ASS'Y

See Page  
2-33



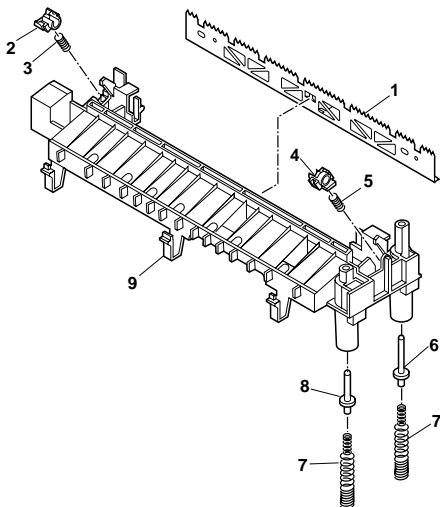
**FIGURE 18** DELIEVRY ASS'Y

See Page  
2-35



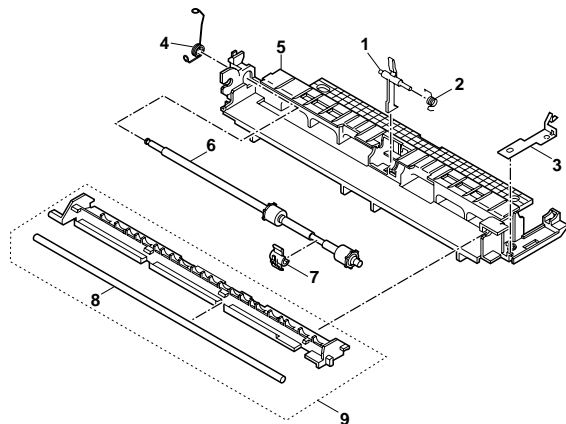
**FIGURE 19** TRANSFER BLOCK ASS'Y

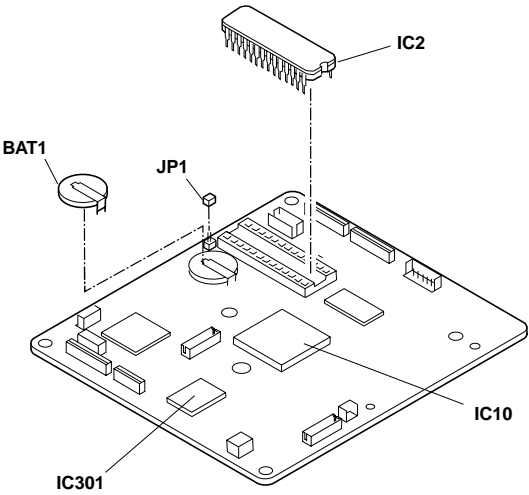
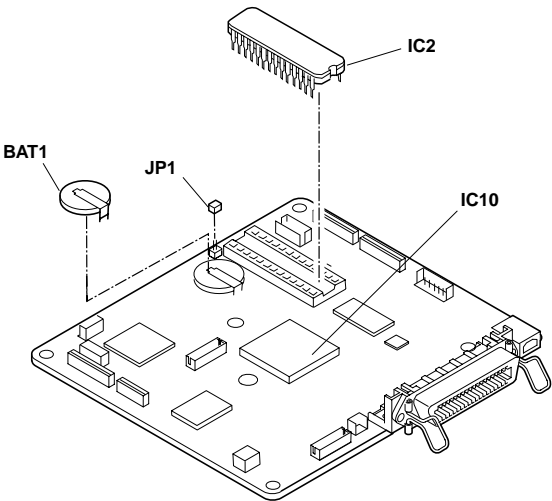
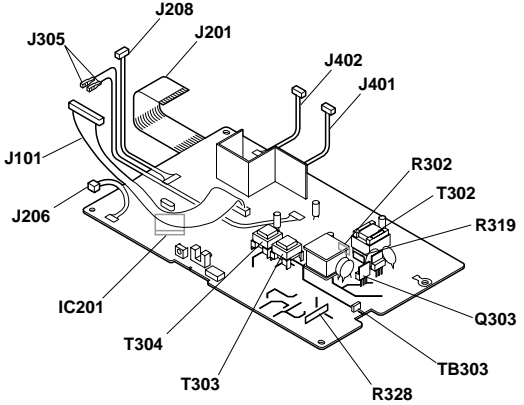
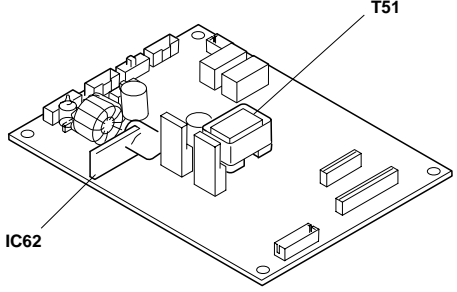
See Page  
2-37

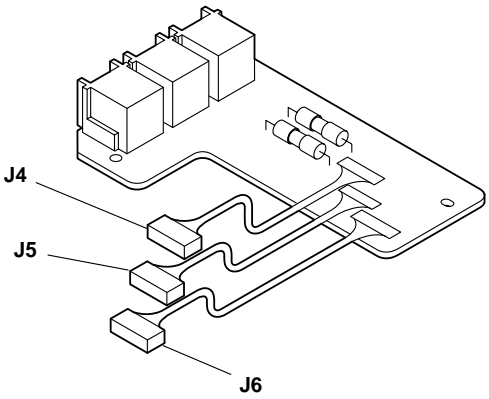
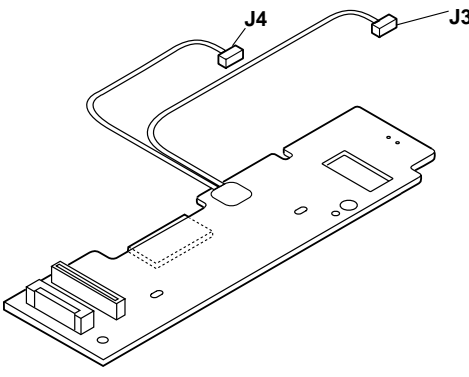
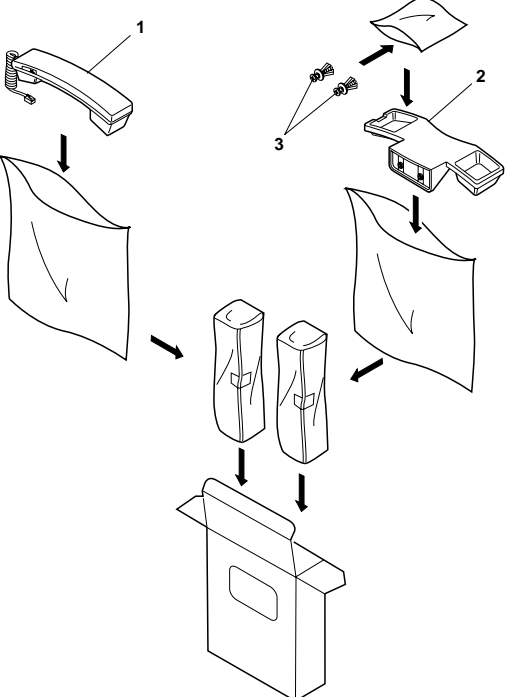
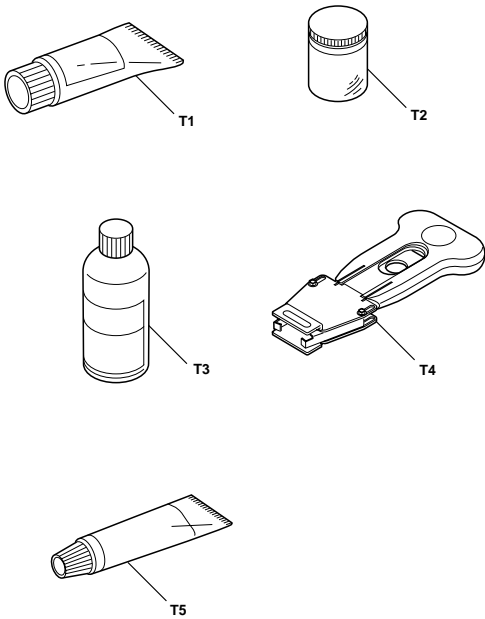


**FIGURE 20** SEPARATION GUIDE ASS'Y (RECORDING)

See Page  
2-39



<p><b>FIGURE 21</b> SCNT BOARD ASS'Y (FAX-L200)</p>	<p>See Page 2-41</p>	<p><b>FIGURE 22</b> SCNT BOARD ASS'Y (FAX-L280)</p>	<p>See Page 2-43</p>
			
<p><b>FIGURE 23</b> PCNT BOARD ASS'Y</p>	<p>See Page 2-45</p>	<p><b>FIGURE 24</b> NCU BOARD ASS'Y</p>	<p>See Page 2-47</p>
			

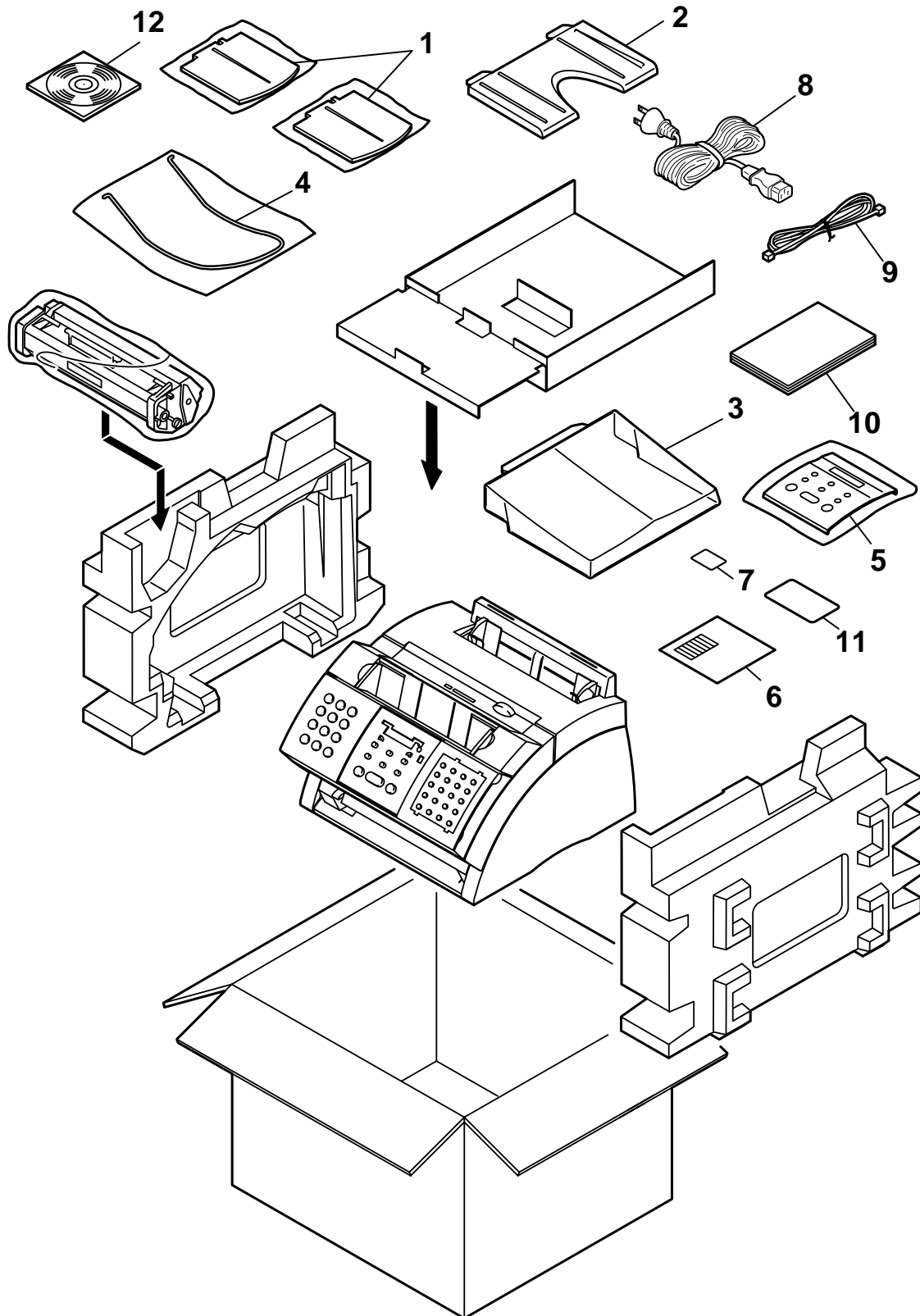
<p><b>FIGURE 25</b> MODULAR BOARD ASS'Y</p>	<p>See Page 2-49</p>	<p><b>FIGURE 26</b> OPCNT BOARD ASS'Y</p>	<p>See Page 2-51</p>
			
<p><b>FIGURE 27</b> TELEPHONE 6 KIT</p>	<p>See Page 2-53</p>	<p><b>FIGURE 28</b> TOOLS</p>	<p>See Page 3-1</p>
			





# 2. PARTS LAYOUT & PARTS LIST

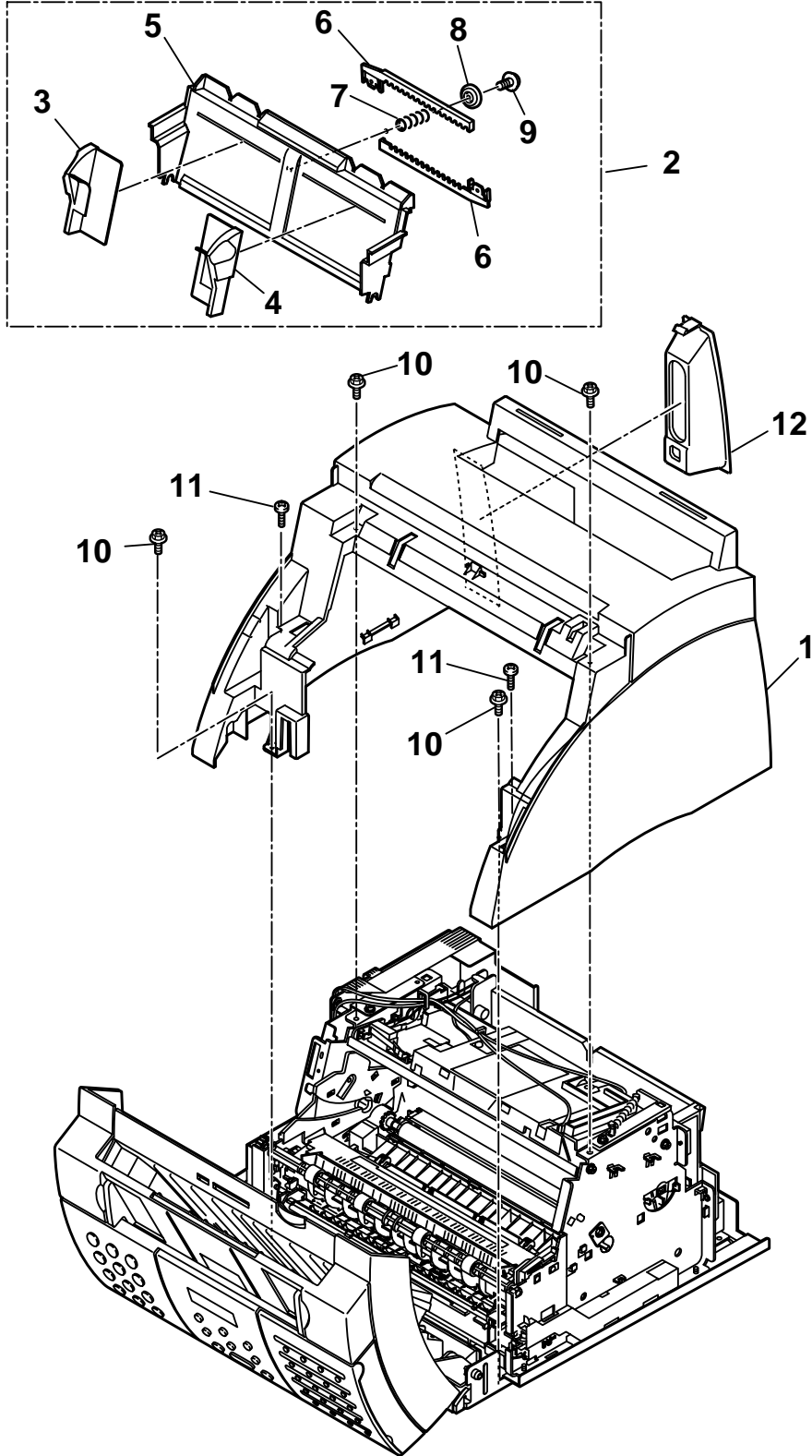
FIGURE 1 PACKAGE CONTENTS



**FAX-L200/L280 2.PARTS LAYOUT & PARTS LIST**

<b>FIGURE &amp; KEY No.</b>	<b>PART No.</b>	<b>RANK</b>	<b>QTY</b>	<b>DESCRIPTION</b>	<b>REMARKS</b>
1 - 1	HB1-4818-000		2	TRAY, SUPPORT	
2	HB1-4819-000		1	TRAY, MULTI-PURPOSE	
3	HB1-4820-000		1	COVER, MULTI-PURPOSE TRAY	
4	HB1-4821-000		1	SUPPORT, DOCUMENT	
5	HB1-4822-000		1	COVER, OPERATION	FAX-L280/EC
	HB1-4855-000		1	COVER, OPERATION	FAX-L200/EC
6	HB1-4357-000		1	LABEL, DESTINATION	
7	HA2-0868-000		1	LABEL, MERCURY	UK
8	WT3-5020-000		1	CORD, POWER	GER FRN
	WT3-5058-000		1	CORD, POWER	UK
9	HH2-1914-000		1	MODULAR CORD, 6P	UK
	HH2-2074-000		1	MODULAR CORD (GERM)	GER
	HH2-2219-000		1	MODULAR CORD	FRN
10	HT1-2166-000	N	1	USER'S GUIDE (ENGLISH)	UK
	HT1-3099-000	N	1	USER'S GUIDE (MODELE FRANCE)	FRN
	HT1-5075-000	N	1	USER'S GUIDE (DEUTSCH)	GER
11	HB1-4854-000		1	LABEL, WARNING	
12	HH4-3512-000	N	1	CD-ROM, DRIVER SOFTWARE	FAX-L280

FIGURE 2 COVERS & TRAY ASS'Y



**FAX-L200/L280 2.PARTS LAYOUT & PARTS LIST**

<b>FIGURE &amp; KEY No.</b>	<b>PART No.</b>	<b>RANK</b>	<b>QTY</b>	<b>DESCRIPTION</b>	<b>REMARKS</b>
2 - 1	HB1-4813-000		1	COVER, MAIN	FAX-L280
	HB1-4814-000		1	COVER, MAIN	FAX-L200
2	HG5-2549-000		1	AUTO PAPER FEED ASS'Y	
3	HB1-4827-000		1	GUIDE, AUTO PAPER FEED, LEFT	
4	HB1-4828-000		1	GUIDE, AUTO PAPER FEED, RIGHT	
5	HB1-4826-000		1	TRAY, AUTO PAPER FEED	
6	HB1-3008-000		2	RACK	
7	HS5-2141-020		1	SPRING, SLIDER	
8	HS5-0254-000		1	GEAR, Z16	
9	XA9-0476-000		1	SCREW, TP M3X8	
10	XA9-0931-000		4	SCREW, RS, M3X12	
11	XB4-7301-409		2	SCREW, TAPPING M3X14	
12	HB1-4816-000		1	COVER, CONNECTOR	FAX-L280

FIGURE 3 READING ASS'Y & MAIN FRAME

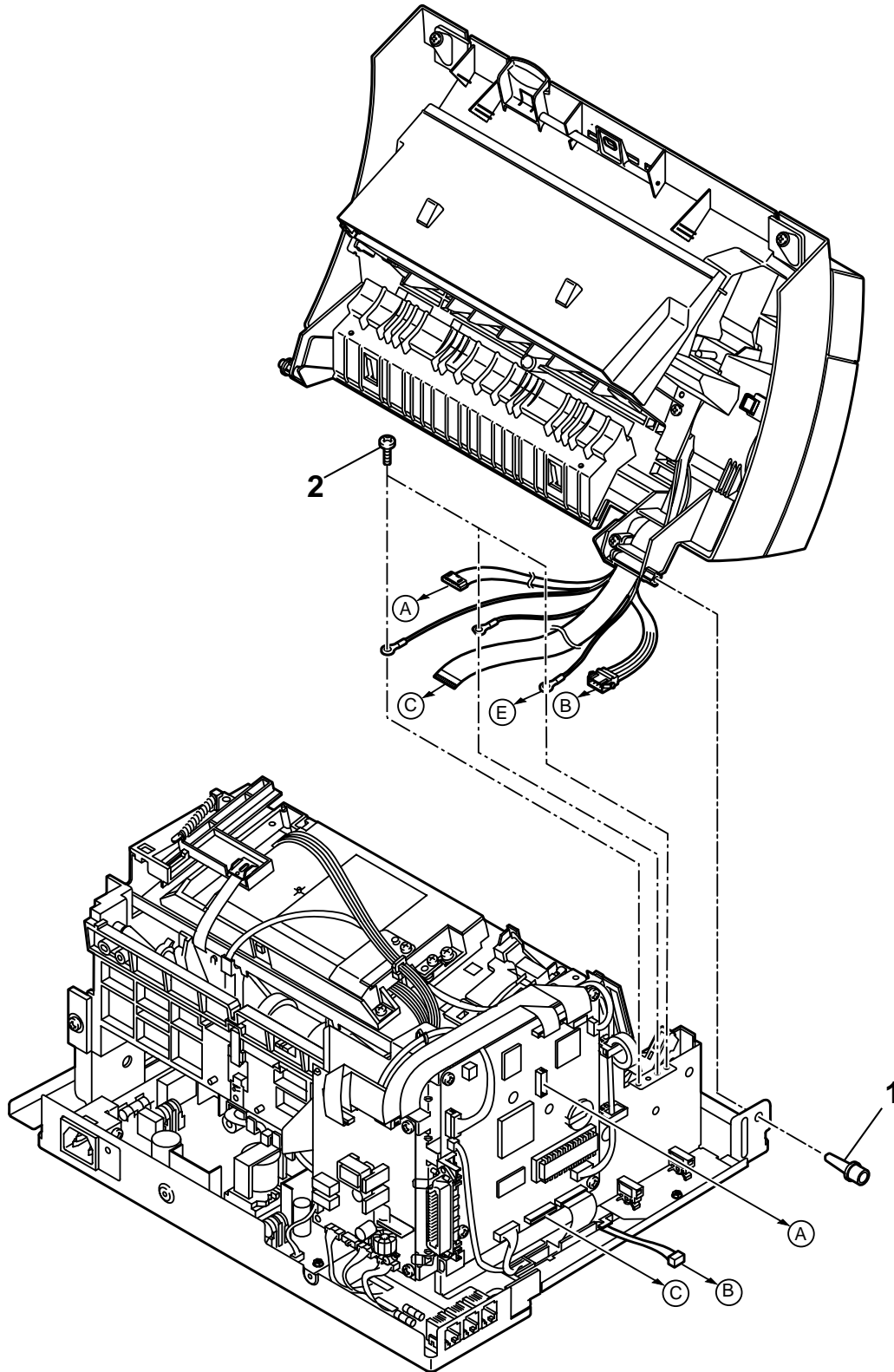
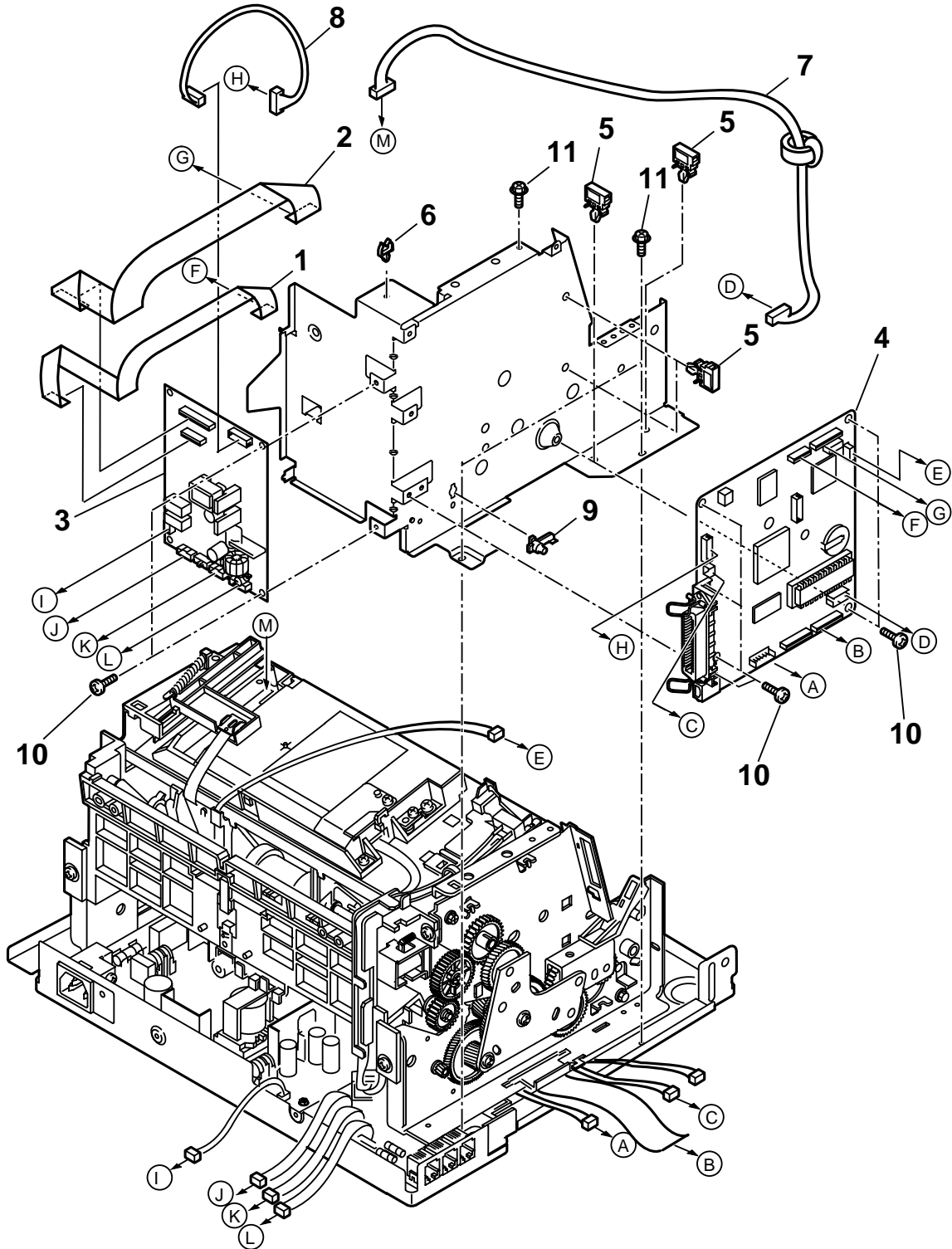


FIGURE & KEY No.	PART No.	RANK	QTY	DESCRIPTION	REMARKS
3 - 1	HB1-2991-000		1	PIN, TAPER	
2	XB1-2300-807		3	SCREW, CROSS-RECESS, FCH	
-----					
-----					
-----					
-----					
-----					
-----					
-----					
-----					
-----					
-----					
-----					
-----					

FIGURE 4 CIRCUIT BOARDS & MAIN FRAME

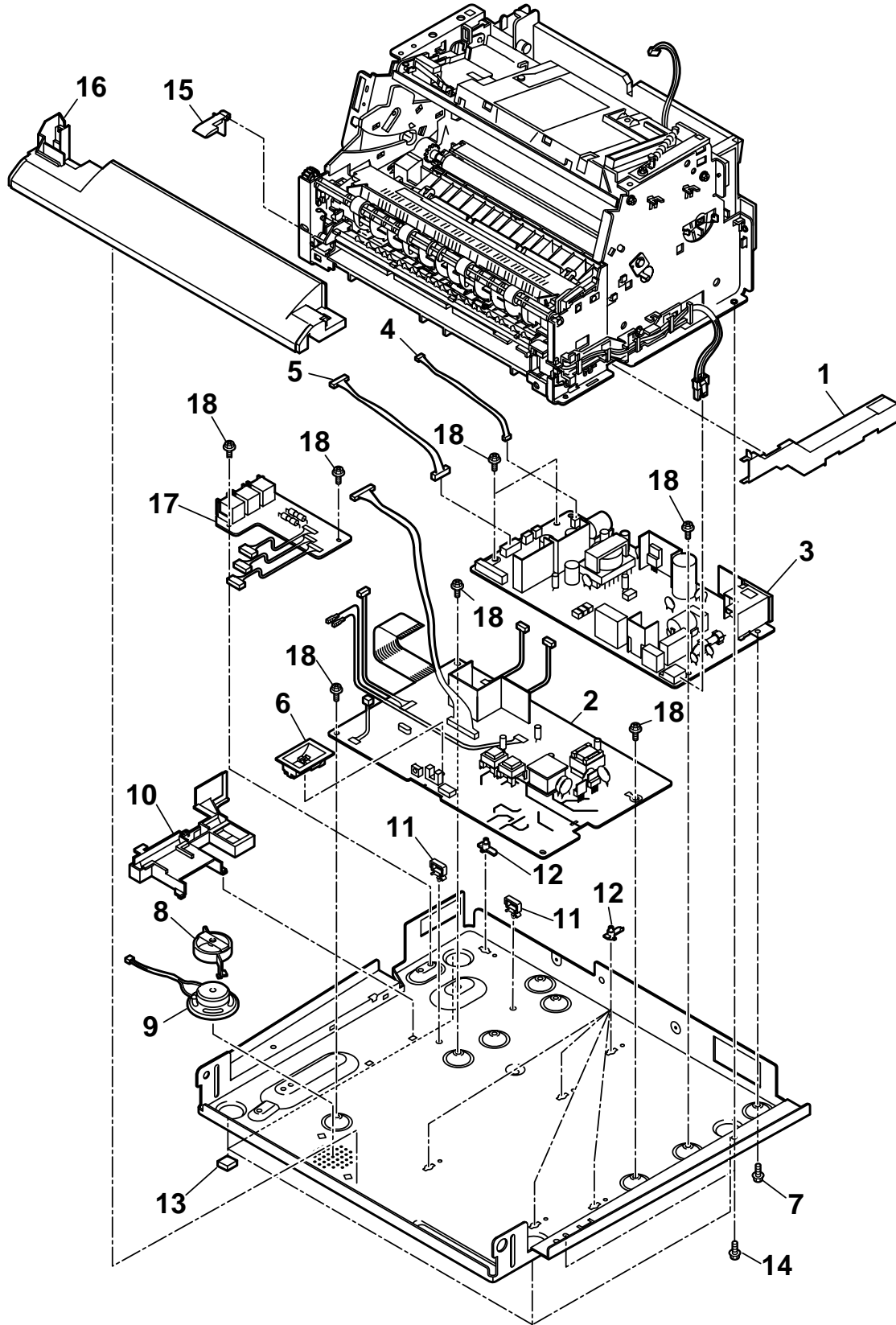


**FAX-L200/L280 2.PARTS LAYOUT & PARTS LIST**

<b>FIGURE &amp; KEY No.</b>	<b>PART No.</b>	<b>RANK</b>	<b>QTY</b>	<b>DESCRIPTION</b>	<b>REMARKS</b>
4 - 1	HH2-3056-000		1	CABLE, FLAT, 14P	
2	HH2-3057-000		1	CABLE, FLAT, 23P	
3	HG5-2587-000		1	NCU BOARD ASS'Y	
4	HG5-2565-000		1	SCNT BOARD ASS'Y	FAX-L280
	HG5-2566-000		1	SCNT BOARD ASS'Y	FAX-L200
5	WT2-0317-000		4	CLIP, CABLE	
6	WT2-5026-000		1	CLIP, CABLE	
7	HG5-2699-000		1	CABLE WITH CONNECTOR, 6P	
8	HG5-2573-000		1	CABLE WITH CONNECTOR, 6P	
9	HB1-4361-000		1	SPACER	
10	XB1-2300-807		8	SCREW, CROSS-RECESS, FCH	
11	XA9-0863-000		3	SCREW, TAP M3X6	



FIGURE 5 CIRCUIT BOARDS & BOTTOM PLATE



**FAX-L200/L280 2.PARTS LAYOUT & PARTS LIST**

<b>FIGURE &amp; KEY No.</b>	<b>PART No.</b>	<b>RANK</b>	<b>QTY</b>	<b>DESCRIPTION</b>	<b>REMARKS</b>
5 - 1	RB1-7344-020		1	COVER, AC CABLE	
2	HG5-2563-000		1	PCNT BOARD ASS'Y	
3	HH3-5365-000		1	POWER SUPPLY UNIT	
4	HG5-2582-000		1	CABLE WITH CONNECTOR, 2P	
5	HG5-2567-000		1	CABLE WITH CONNECTOR, 7P	
6	RB2-6220-000		1	COVER, WATERPROOF	
7	XB2-7300-607		1	SCREW, M3X6	
8	HB1-3023-000		1	HOLDER, SPEAKER	
9	HG5-2561-000		1	SPEAKER UNIT	
10	HB1-4824-000		1	GUIDE, CABLE	
11	WT2-0317-000		2	CLIP, CABLE	
12	HB1-4361-000		6	SPACER	
13	HB1-4704-000		4	FOOT, PRINTER	
14	XB3-6300-800		4	SCREW, RS, M3X8	
15	HB1-4817-000		1	LEVER, FLAPPER	
16	HB1-4815-000		1	COVER, FRONT	
17	HG5-2562-000		1	MODULAR BOARD ASS'Y	
18	XA9-0863-000		8	SCREW, TAP M3X6	

FIGURE 6 READING ASS'Y 1

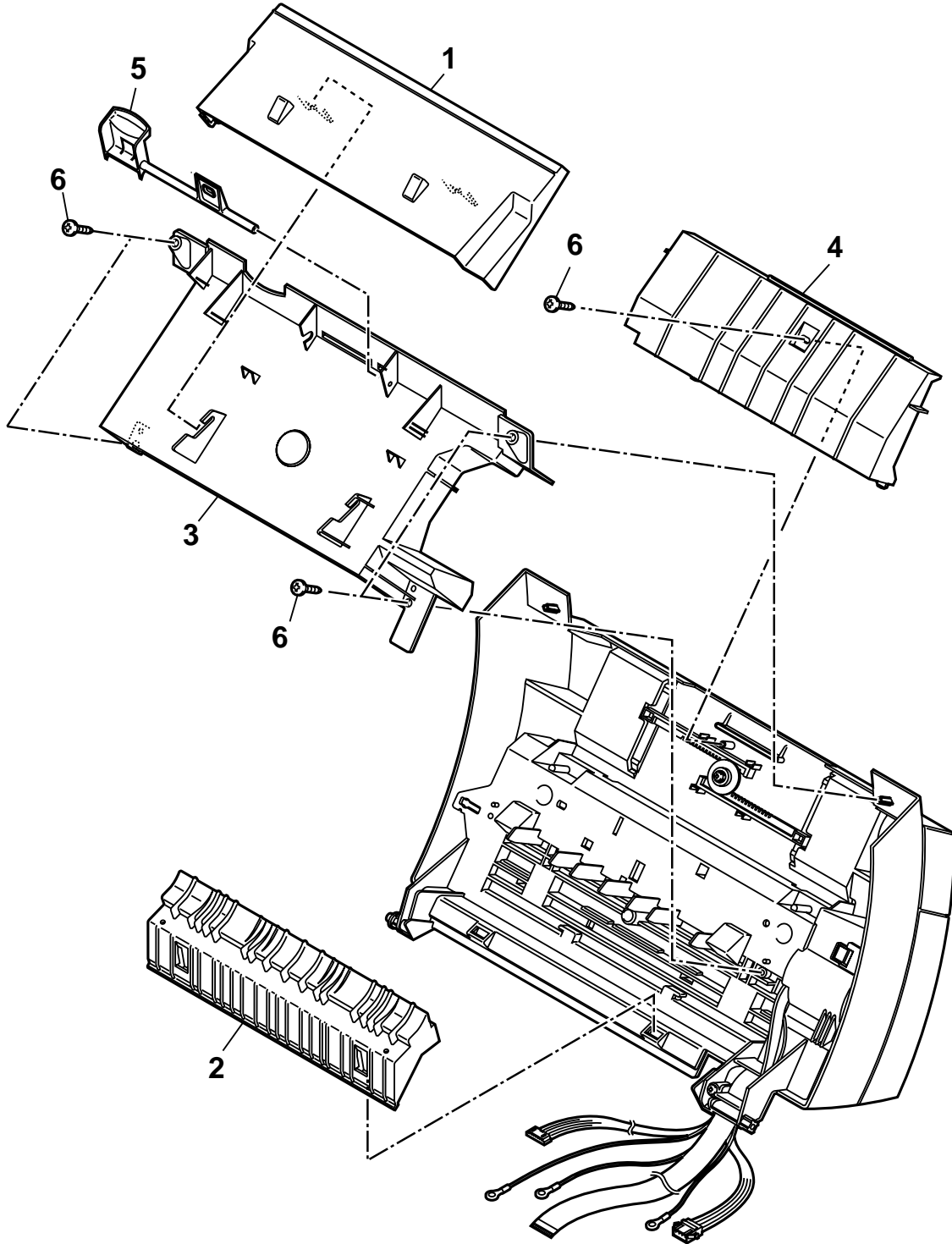


FIGURE & KEY No.	PART No.	R A N K	Q T Y	DESCRIPTION	REMARKS
6 - 1	HB1-4324-000		1	DUCT, AIR	
2	HB1-4830-000		1	GUIDE, FACE DOWN	
3	HB1-4835-000		1	DUCT, AIR	
4	HB1-4832-000		1	GUIDE, PAPER EJECT	
5	HB1-4836-000		1	LEVER, ADF RELEASE	
6	XB4-7401-007		5	SCREW, PAN HEAD SELF-TAPPING	

FIGURE 7 READING ASS'Y 2

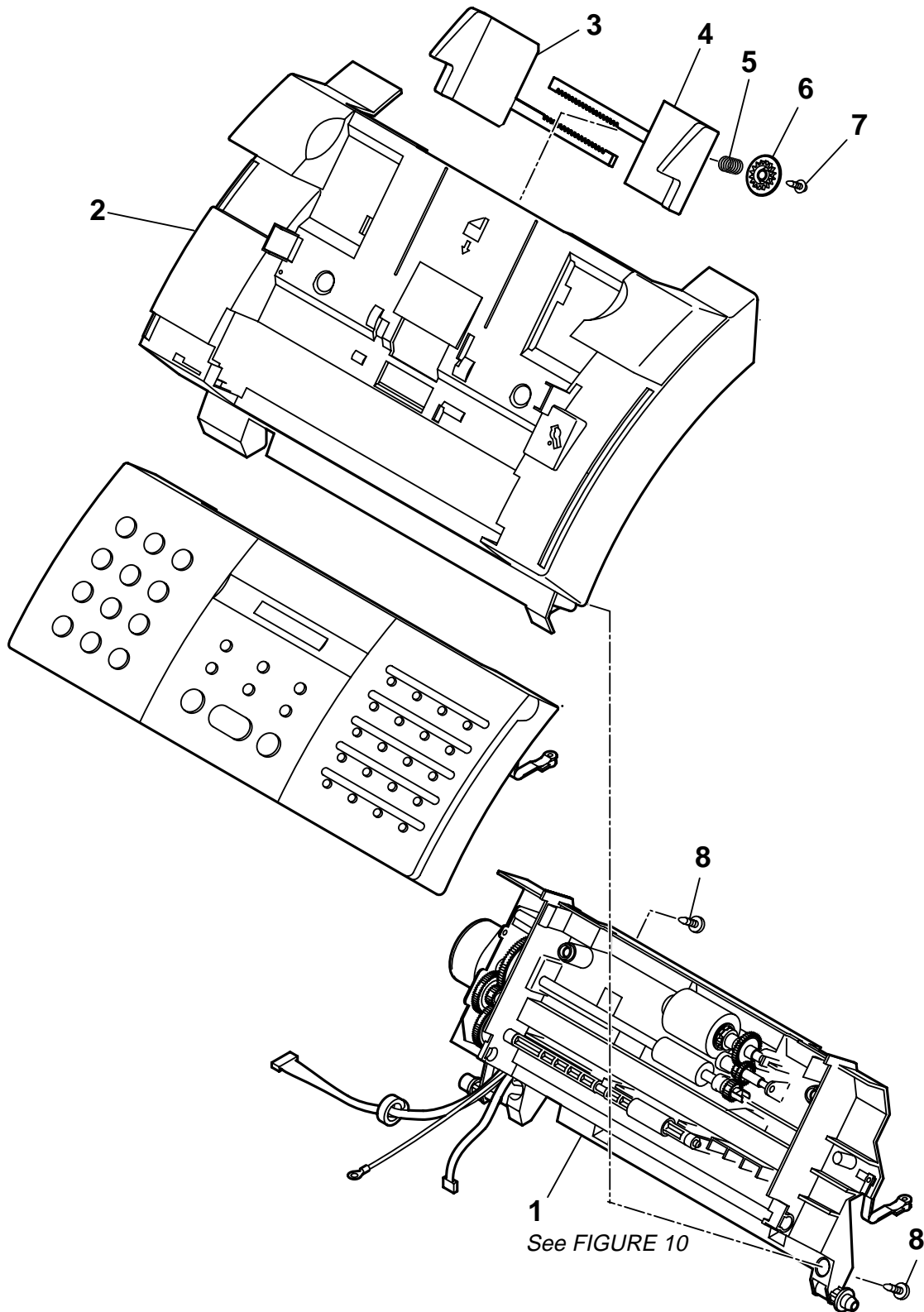
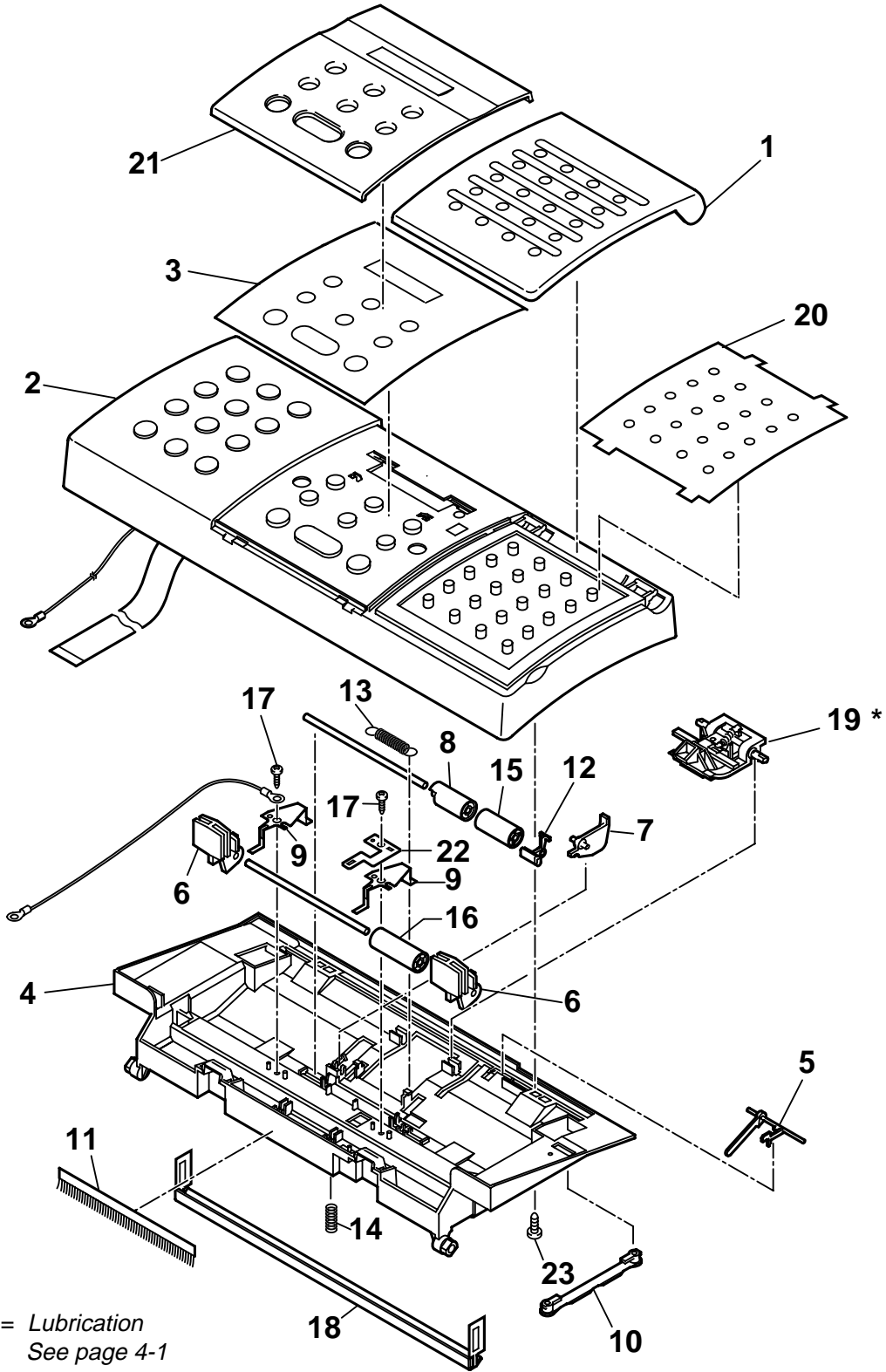


FIGURE & KEY No.	PART No.	RANK	QTY	DESCRIPTION	REMARKS
7 - 1	NPN		1	ADF UNIT	
2	HB1-4831-000		1	COVER, CARTRIDGE	
3	HB1-4833-000		1	GUIDE, DOCUMENT FEED, LEFT	
4	HB1-4834-000		1	GUIDE, DOCUMENT FEED, RIGHT	
5	HS5-2141-020		1	SPRING, SLIDER	
6	HS5-0254-000		1	GEAR, Z16	
7	XA9-0476-000		1	SCREW, TP M3X8	
8	XB4-7401-007		2	SCREW, PAN HEAD SELF-TAPPING	

FIGURE 8 OPERATION PANEL ASS'Y & ADF UPPER



**FAX-L200/L280 2.PARTS LAYOUT & PARTS LIST**

<b>FIGURE &amp; KEY No.</b>	<b>PART No.</b>	<b>RANK</b>	<b>QTY</b>	<b>DESCRIPTION</b>	<b>REMARKS</b>
8 - 1	HB1-4848-000		1	COVER, ONE TOUCH DIAL	
2	HG5-2557-000		1	OPERATION PANEL ASS'Y	
3	HB1-4852-000		1	SHEET, OPERATION PANEL	UK
	HB1-4859-000		1	SHEET, OPERATION PANEL	GER
	HB1-4861-000		1	SHEET, OPERATION PANEL	FRN
4	HB1-4838-000	N	1	FRAME, ADF UPPER	
5	HB1-4839-000		1	ARM, DETECTION (DS)	
6	HB1-4840-000		2	GUIDE, DOCUMENT EJECT	
7	HB1-2863-000		1	STOPPER, DOCUMENT	
8	HB1-2864-000		1	ROLLER, BACK UP	
9	HB1-2866-000		2	PLATE, PRESSURE	
10	HB1-3257-000		1	STOPPER, OPERATION PANEL	
11	HB1-4072-000		1	BRUSH, STATIC DISCHARGE	
12	HB1-4310-000		1	ARM, DETECTION (DES)	
13	HS5-2078-000		1	SPRING	
14	HS5-2129-000		1	SPRING, WHITE SHEET	
15	HS5-6023-030		1	ROLLER, BACK UP	
16	HS5-6069-000		1	ROLLER, DELIVERY	
17	XB4-7300-807		2	SCREW, TAP TIGHT, BINDING HEAD	
18	HF5-0399-000		1	WHITE SHEET UNIT	
19	HG5-2556-000		1	SEPARATION GUIDE ASS'Y	
20	HB1-4853-000		1	SHEET, ONE TOUCH DIAL	UK
	HB1-4860-000		1	SHEET, ONE TOUCH DIAL	GER
	HB1-4862-000		1	SHEET, ONE TOUCH DIAL	FRN
21	HB1-4822-000		1	COVER, OPERATION	FAX-L280/UK GER FRN
	HB1-4855-000		1	COVER, OPERATION	FAX-L200/UK GER FRN
22	HB1-5058-000		1	PLATE, GROUNDING	
23	XB4-7301-009		2	SCREW, BINDING HEAD SELF-TPG	



FIGURE 9 OPERATION PANEL ASS'Y

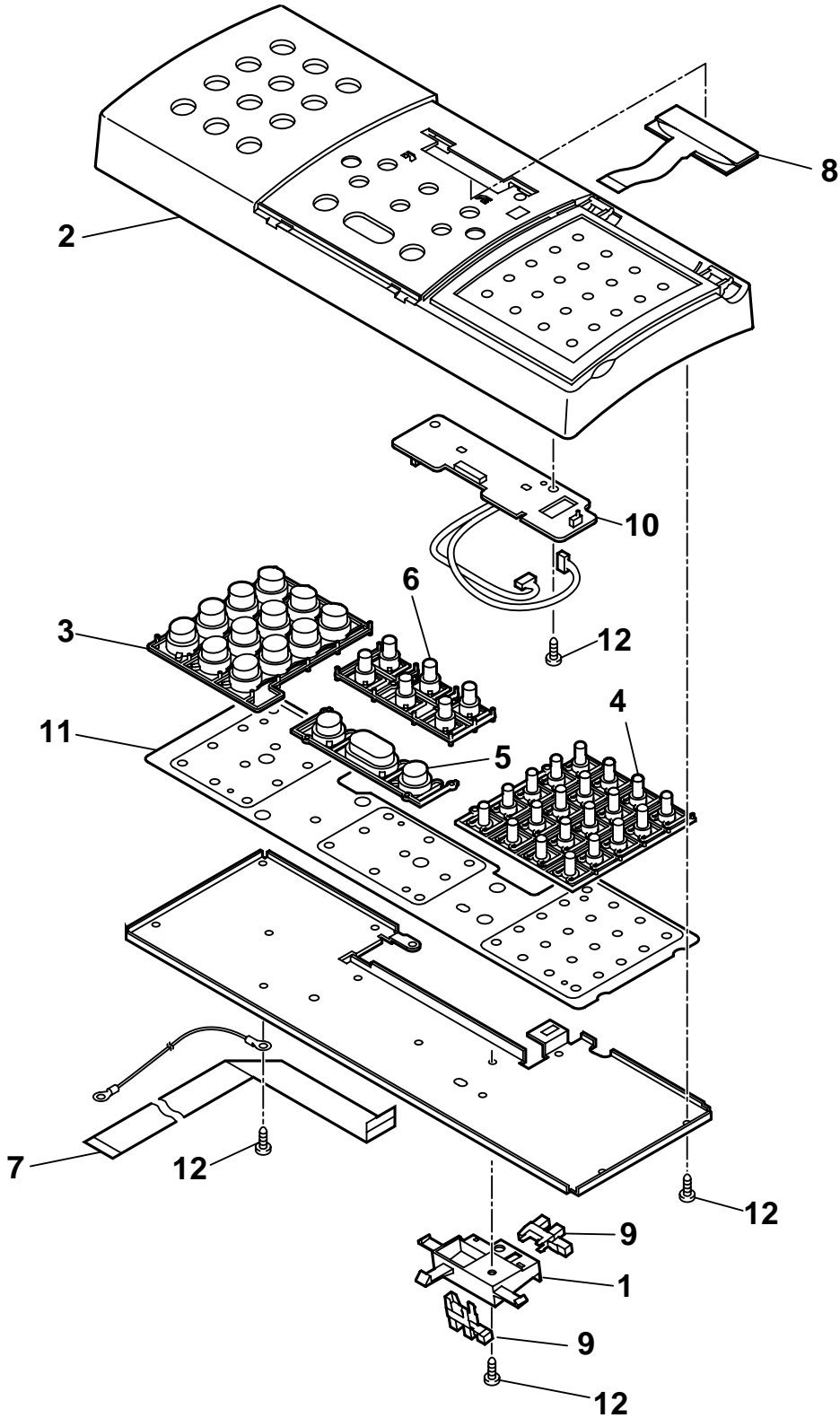
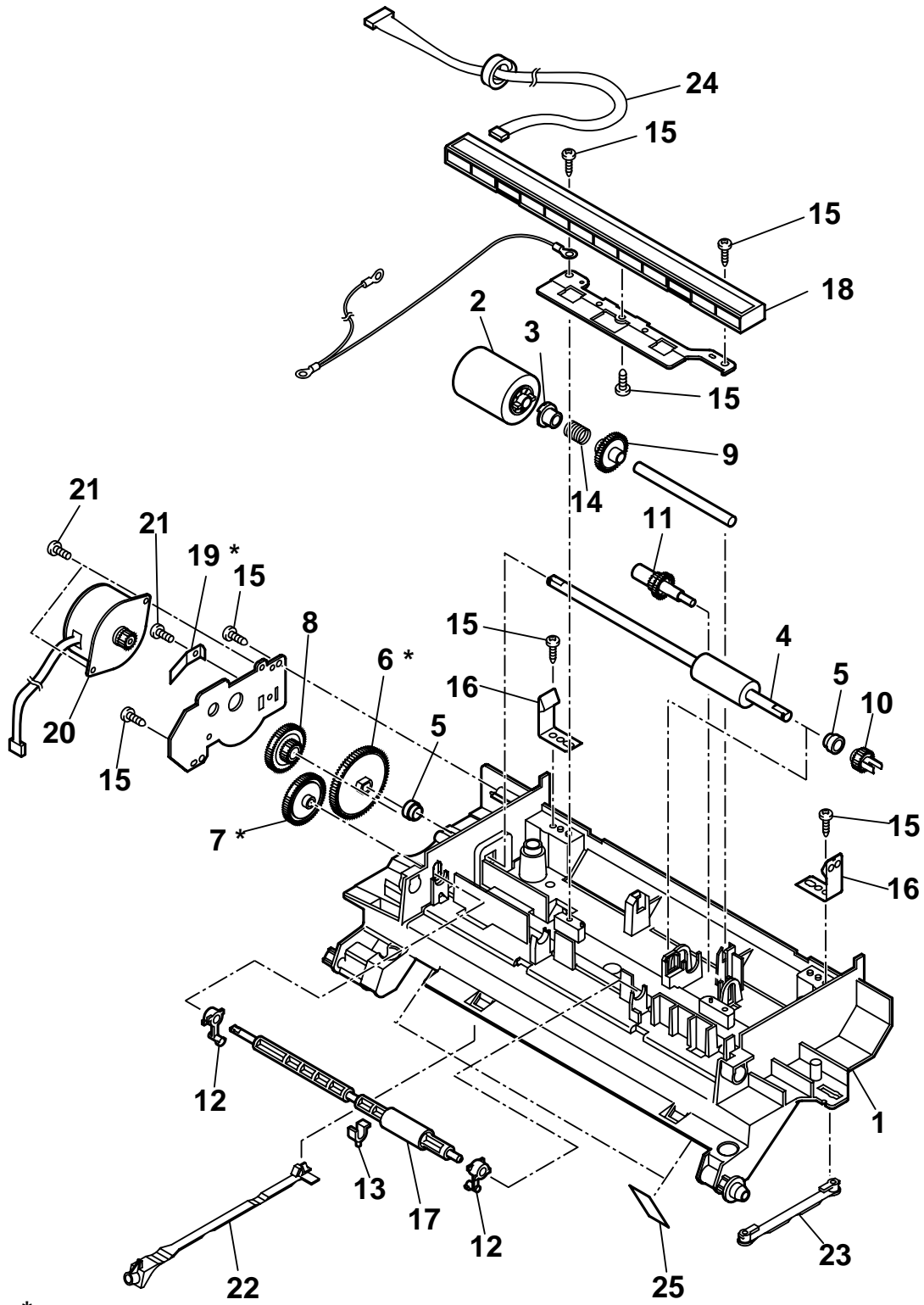


FIGURE & KEY No.	PART No.	R A N K	Q T Y	DESCRIPTION	REMARKS
9 - 1	HB1-4837-000		1	HOLDER, SENSOR	
2	HB1-4842-000		1	COVER, OPERATION PANEL	
3	HB1-4843-000		1	KEY TOP, DIAL	
4	HB1-4844-000		1	KEY TOP, ONE TOUCH DIAL	
5	HB1-4845-000		1	KEY TOP, MAIN	
6	HB1-4846-000		1	KEY TOP, FUNCTION	
7	HH2-3055-000		1	CABLE, FLAT, 20P	
8	HH7-2521-000		1	LCD UNIT	
9	WG8-5362-000		2	PHOTO-INTERRUPTER, TLP1241	
10	HG5-2564-000		1	OPCNT BOARD ASS'Y	
11	HH7-2529-000		1	MEMBRANE UNIT	
12	XB4-7301-009		14	SCREW, BINDING HEAD SELF-TPG	

FIGURE 10 ADF LOWER



\* = Lubrication  
See page 4-2

FIGURE & KEY No.	PART No.	RANK	QTY	DESCRIPTION	REMARKS
10 - 1	HB1-4850-000	N	1	FRAME, ADF LOWER	
2	HB1-4856-000		1	ROLLER, SEPARATION	
3	HB1-1779-000		1	SPACER	
4	HB1-4307-000		1	ROLLER, DOCUMENT FEED	
5	HS1-1063-000		2	BUSHING	
6	HS5-0311-000		1	GEAR, Z82D	
7	HS5-0312-000		1	GEAR, Z59D	
8	HS5-0313-000		1	GEAR, Z21/Z54	
9	HS5-0314-000		1	GEAR, Z40D	
10	HS5-0315-000		1	GEAR, Z21D	
11	HS5-0316-000		1	GEAR, Z21/28B	
12	HS5-1070-030		2	BUSHING	
13	HS5-1090-000		1	BUSHING	
14	HS5-2077-000		1	SPRING, CLUTCH	
15	XB4-7300-807		7	SCREW, TAP TIGHT, BINDING HEAD	
16	HF5-0375-000		2	LOCK, OPERATION PANEL	
17	HF5-0543-000		1	ROLLER, DOCUMENT EJECT	
18	HH7-2520-000		1	CONTACT SENSOR UNIT	
19	HB1-3036-000		1	PLATE, GROUNDING	
20	HH7-2522-000		1	MOTOR, DOCUMENT FEED	
21	XB1-2300-407		3	SCREW, BH3X4 (S)	
22	HB1-3109-020		1	STOPPER, CRG	
23	HB1-3257-000		1	STOPPER, OPERATION PANEL	
24	HG5-2583-000		1	CABLE WITH CONNECTOR, 7P	
25	HB1-4261-000		2	SHEET	

FIGURE 11 SCANNER ASS'Y

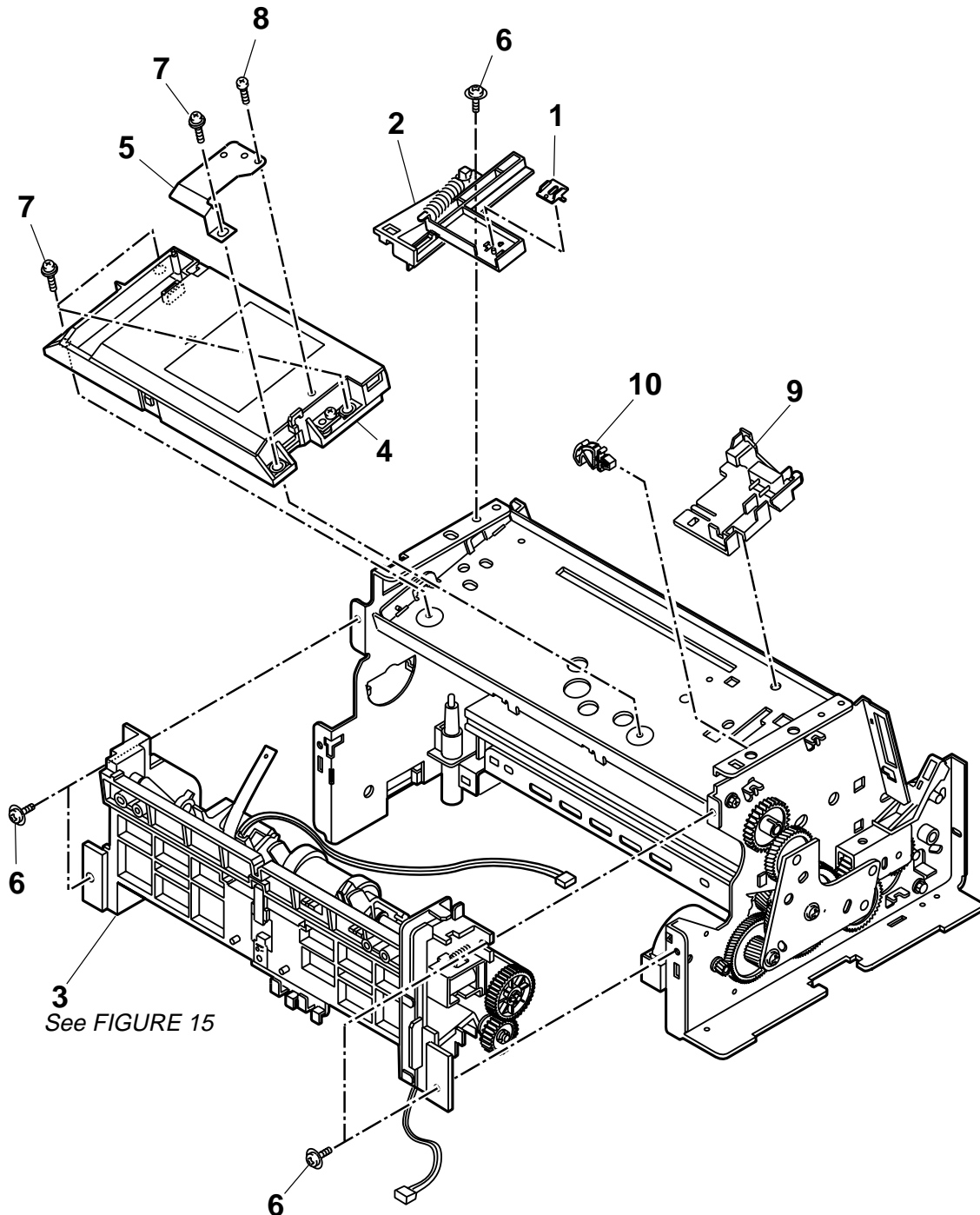


FIGURE & KEY No.	PART No.	RANK	QTY	DESCRIPTION	REMARKS
11 - 1	HB1-3018-000		1	STOPPER, TAPE	
2	HG5-1290-000		1	ACTUATOR UNIT	
3	NPN		1	PAPER FEED UNIT	
4	RG5-5473-000		1	SCANNER ASS'Y	
5	HB1-3418-000		1	PLATE, GROUNDING	
6	XB3-6300-800		5	SCREW, RS, M3X8	
7	XA9-1261-000		4	SCREW, TP, M3X8	
8	XB4-7300-807		1	SCREW, TAP TIGHT, BINDING HEAD	
9	RF5-3256-000		1	MOUNT, SENSING LEVER	
10	WT2-5134-000		1	CLAMP, CABLE	

FIGURE 12 FIXING SECTION 1

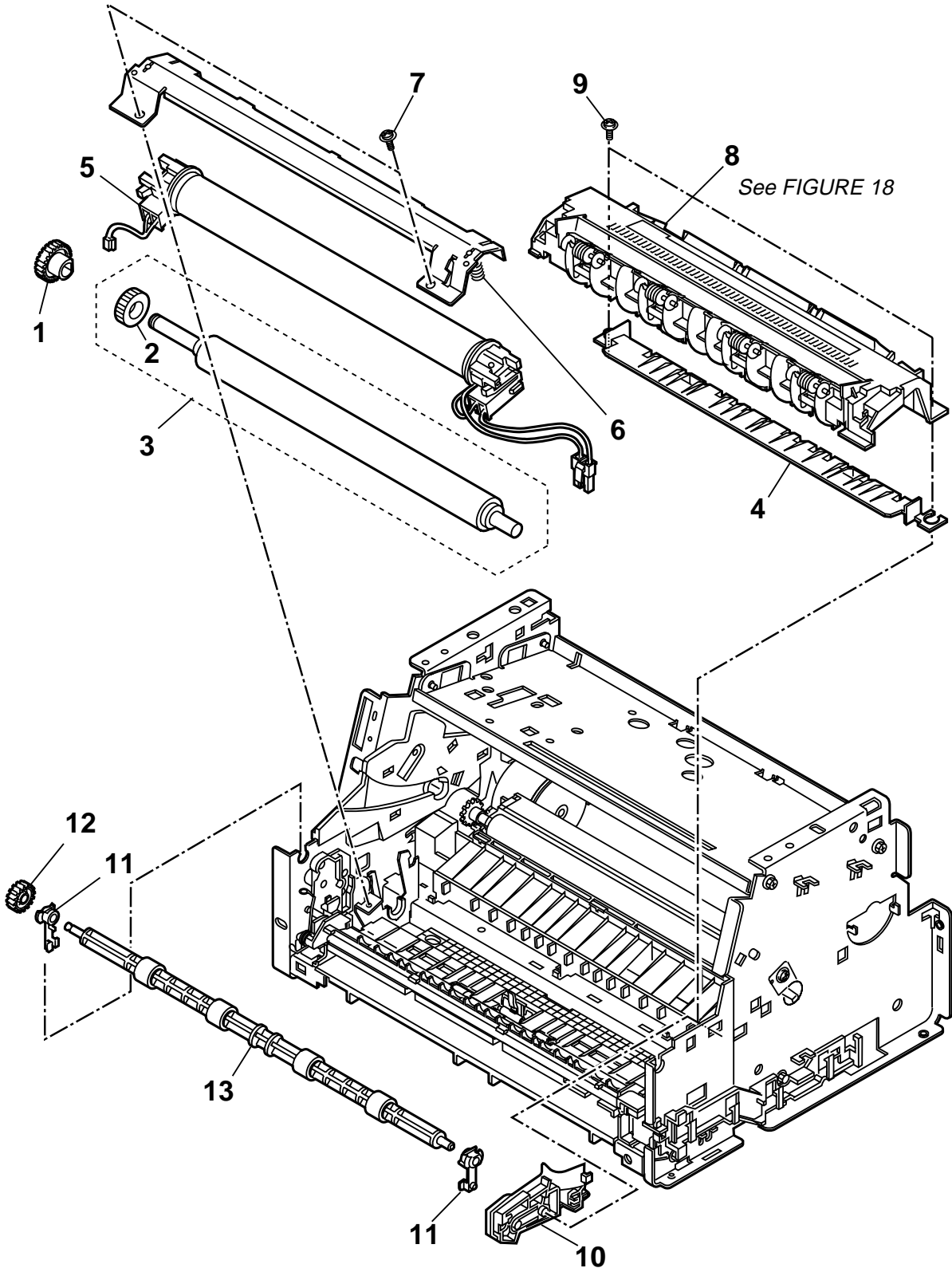


FIGURE & KEY No.	PART No.	RANK	QTY	DESCRIPTION	REMARKS
12 - 1	RS5-0796-000		1	GEAR, 27T	
2	RB2-1668-000		1	RUBBER, CONTINUITY	
3	RF5-5479-000		1	ROLLER, PRESSURE	
4	RB1-7247-000		1	GUIDE, PAPER	
5	HG5-2408-000		1	FIXING ASS'Y	
6	RS5-2508-000		2	SPRING, COMPRESSION	
7	XB6-7300-807		2	SCREW, TP, M3X8	
8	RG5-5482-000		1	DELIVERY ASS'Y	
9	XB3-6300-800		2	SCREW, RS, M3X8	
10	RB1-7341-030		1	GUIDE, SUB, CARTRIDGE, RIGHT	
11	RB1-7288-020		2	BUSHING	
12	RS5-0797-000		1	GEAR, 18T	
13	RF5-2367-000		1	ROLLER, FEEDER	



FIGURE 13 DRIVE GEARS

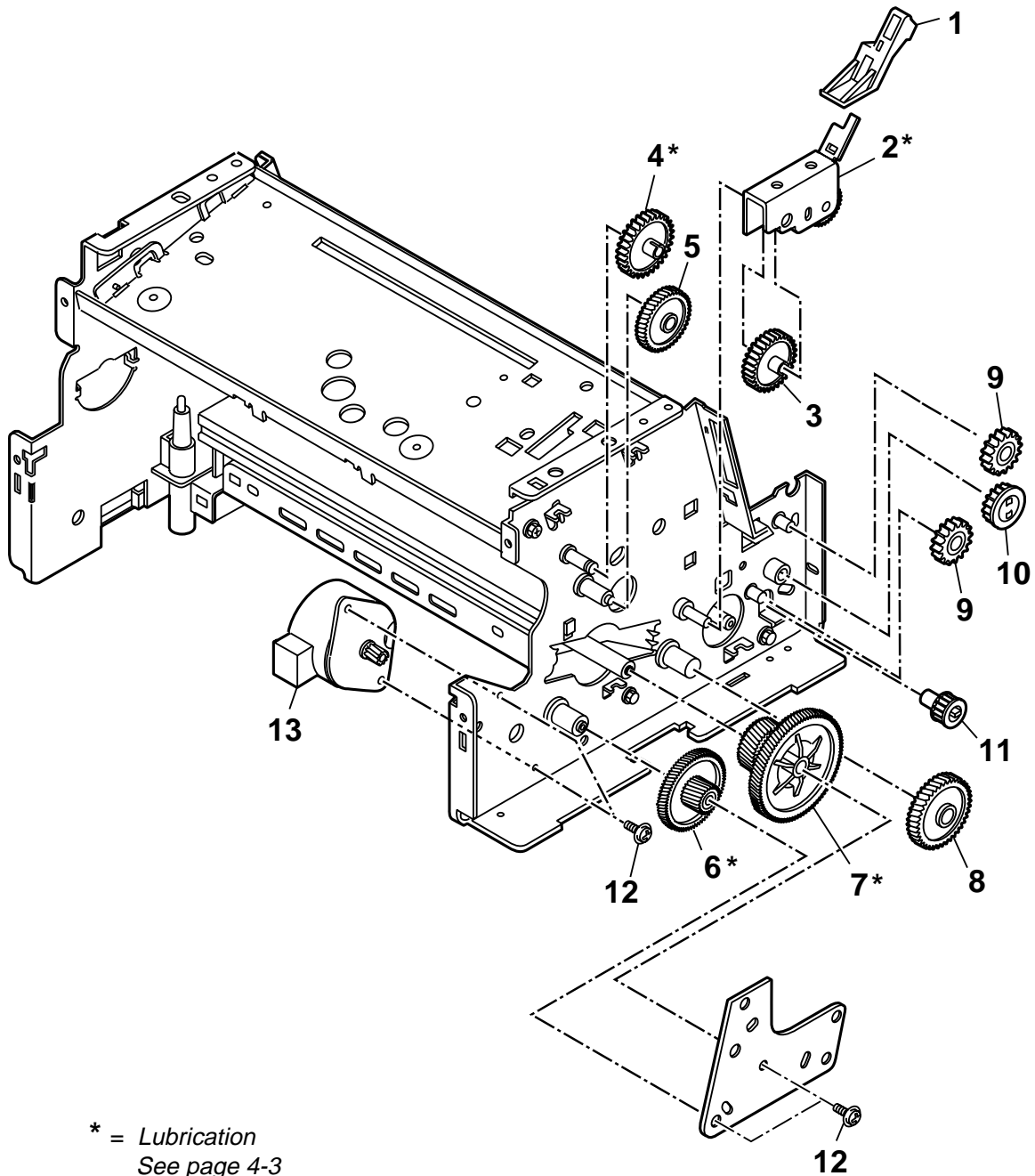
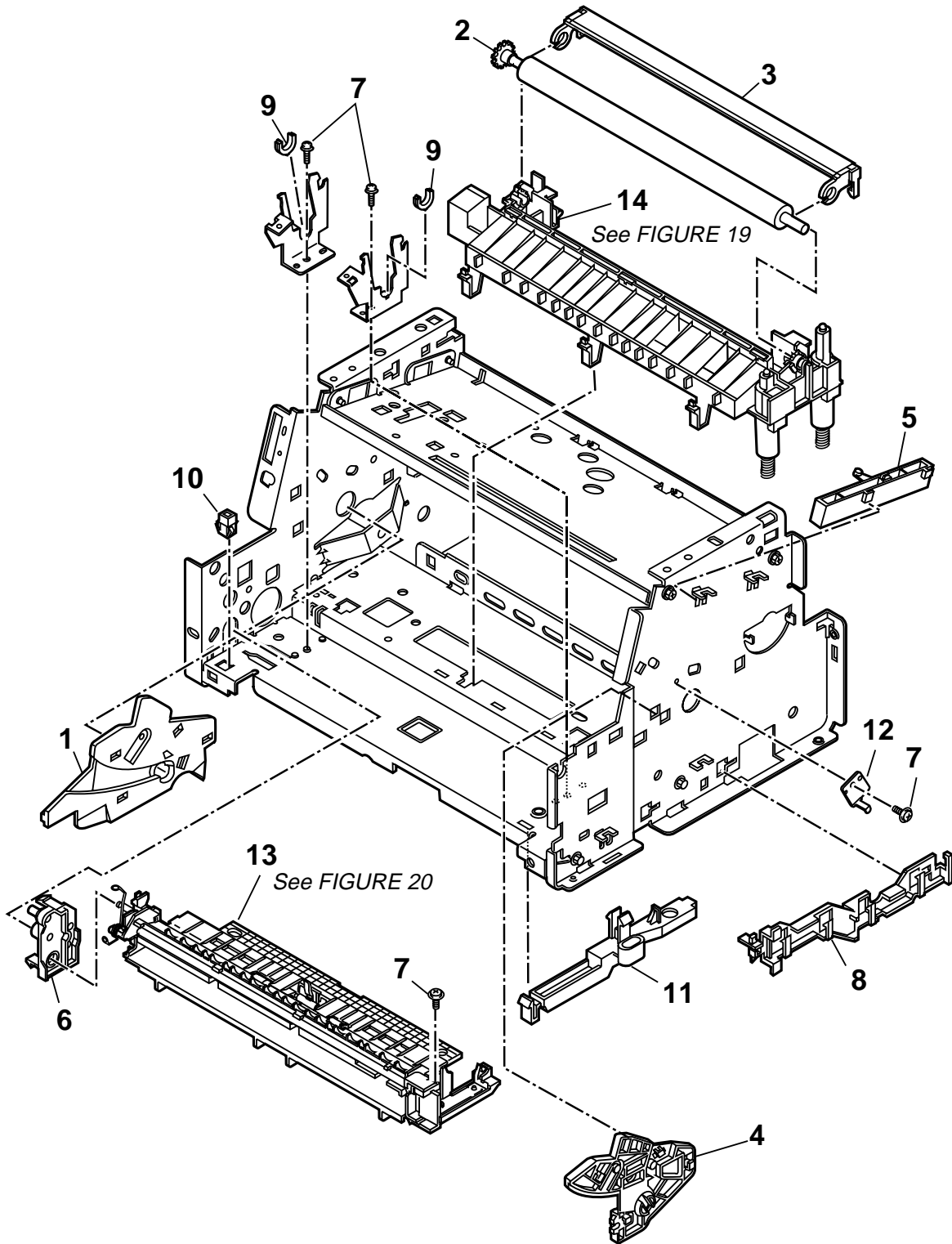


FIGURE & KEY No.	PART No.	RANK	QTY	DESCRIPTION	REMARKS
13 - 1	RB1-8170-000		1	LEVER, RELEASE, D	
2	RF5-1513-000		2	ARM, SWING	
3	RS5-0791-000		1	GEAR, 36T	
4	RS5-0789-000		1	GEAR, 37T	
5	RS5-0799-000		1	GEAR, 51T/17T	
6	RS6-0380-000		1	GEAR, 23T/98T	
7	RS5-0788-000		1	GEAR, 32T/93T	
8	RS5-0790-000		1	GEAR, 54T/19T	
9	RS5-0793-000		2	GEAR, 22T	
10	RS5-0794-000		1	GEAR, 24T	
11	RS5-0798-000		1	GEAR, 15T	
12	XA9-1263-000		4	SCREW, TP, M3X5	
13	RH7-1450-000		1	MOTOR, STEPPING, DC 4.8W	

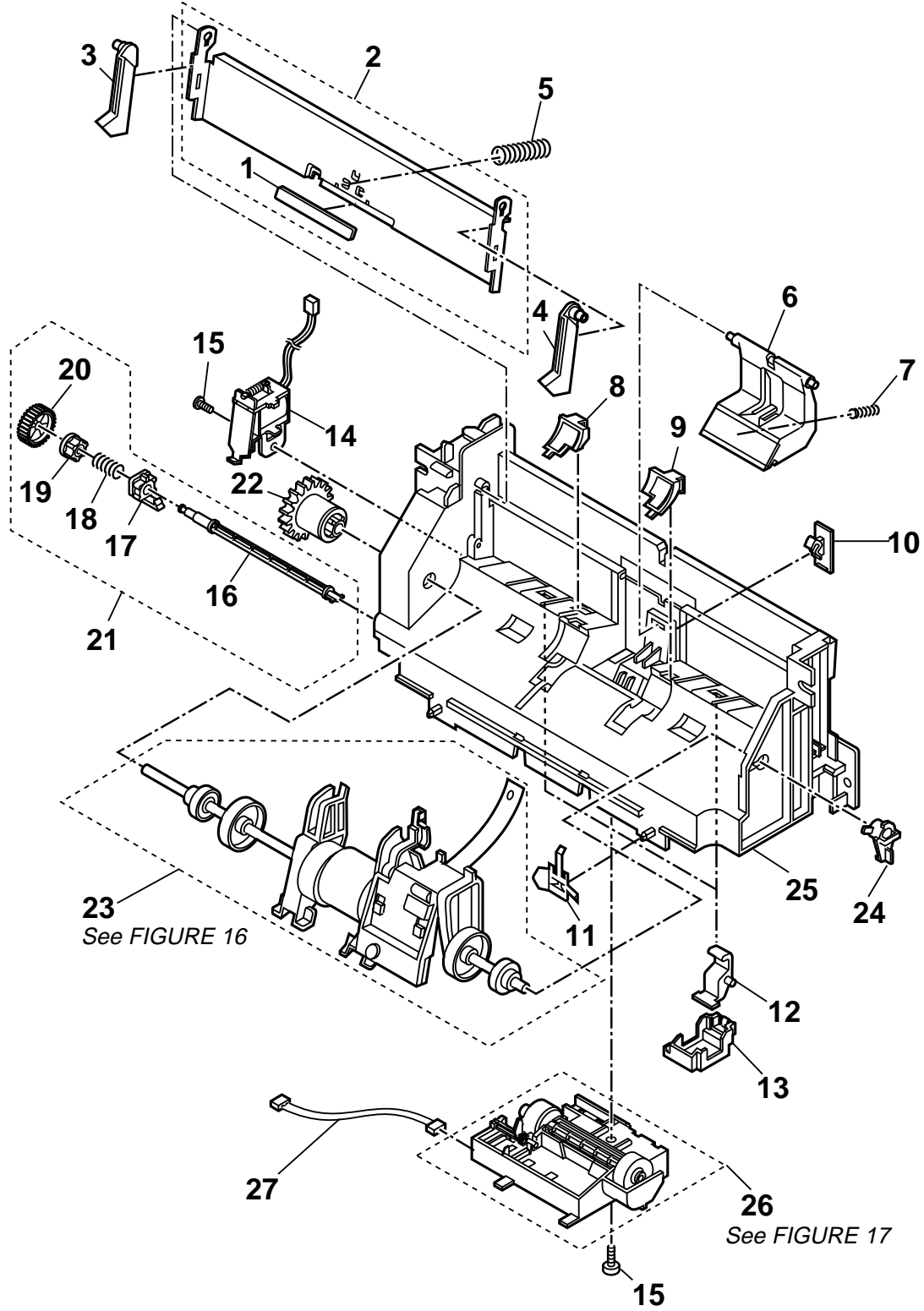
FIGURE 14 FIXING SECTION 2



**FAX-L200/L280 2.PARTS LAYOUT & PARTS LIST**

<b>FIGURE &amp; KEY No.</b>	<b>PART No.</b>	<b>RANK</b>	<b>QTY</b>	<b>DESCRIPTION</b>	<b>REMARKS</b>
14 - 1	RF5-1514-020		1	GUIDE, CARTRIDGE,LEFT	
2	RF5-1534-000		1	ROLLER, TRANSFER	
3	RF5-2358-000		1	GUIDE, TRANSFER	
4	RF5-1515-020		1	GUIDE, CARTRIDGE	
5	HB1-3019-000		1	STOPPER, CARTRIDGE	
6	RB1-7107-000		1	HOLDER, GEAR	
7	XA9-0724-000		4	SCREW, M3X8	
8	RB1-7130-020		1	GUIDE, CABLE	
9	RB1-7246-000		2	BUSHING	
10	VS1-5057-002		1	CONNECTOR, 2P	
11	RF5-1533-000		1	PLATE, CONTINUITY	
12	RB1-7129-000		1	SPRING, GROUNDING	
13	RG5-3475-040		1	SEPARATION GUIDE ASS'Y	
14	RG5-5481-000		1	TRANSFER BLOCK ASS'Y	

FIGURE 15 PAPER FEED SECTION



**FAX-L200/L280 2.PARTS LAYOUT & PARTS LIST**

<b>FIGURE &amp; KEY No.</b>	<b>PART No.</b>	<b>RANK</b>	<b>QTY</b>	<b>DESCRIPTION</b>	<b>REMARKS</b>
15 - 1	RB2-1706-000		1	SHEET, SEPARATION	
2	RF5-2372-000		1	PLATE, MIDDLE	
3	RB1-7185-000		1	ARM, PLATE, LEFT	
4	RB1-7186-000		1	ARM, PLATE, RIGHT	
5	RS5-2501-000		1	SPRING, COMPRESSION	
6	RB2-6221-000		1	ARM, SEPARATION	
7	RS5-2502-000		1	SPRING, COMPRESSION	
8	RF5-1492-000		1	PAD, LEFT	
9	RF5-1493-000		1	PAD, RIGHT	
10	RB1-7206-000		1	HOLDER, ARM	
11	RB1-7172-000		1	SPRING, GROUNDING	
12	RB1-7219-000		2	STOPPER	
13	HB1-4825-000		2	HOLDER, STOPPER	
14	RH7-5265-000		1	SOLENOID	
15	XA9-1262-000		2	SCREW, M4X10	
16	RB1-7221-000		1	SHAFT, DRIVE	
17	RB1-7222-000		1	BUSHING	
18	RS5-2510-000		1	SPRING, COMPRESSION	
19	RB1-7224-000		1	RATCHET	
20	RS5-0786-000		1	GEAR, 24T	
21	RG5-1947-000		1	FEEDER DRIVE ASS'Y	
22	RB1-7197-020		1	CLUTCH	
23	HG5-2546-000		1	PICKUP ROLLER ASS'Y	
24	RB1-7184-000		1	BUSHING	
25	RB1-7177-000	N	1	FRAME, PAPER FEED	
26	HG5-2548-000		1	FEEDER ASS'Y	
27	HG5-2568-000		1	CABLE WITH CONNECTOR, 3P	

FIGURE 16 PICK-UP ROLLER ASS'Y

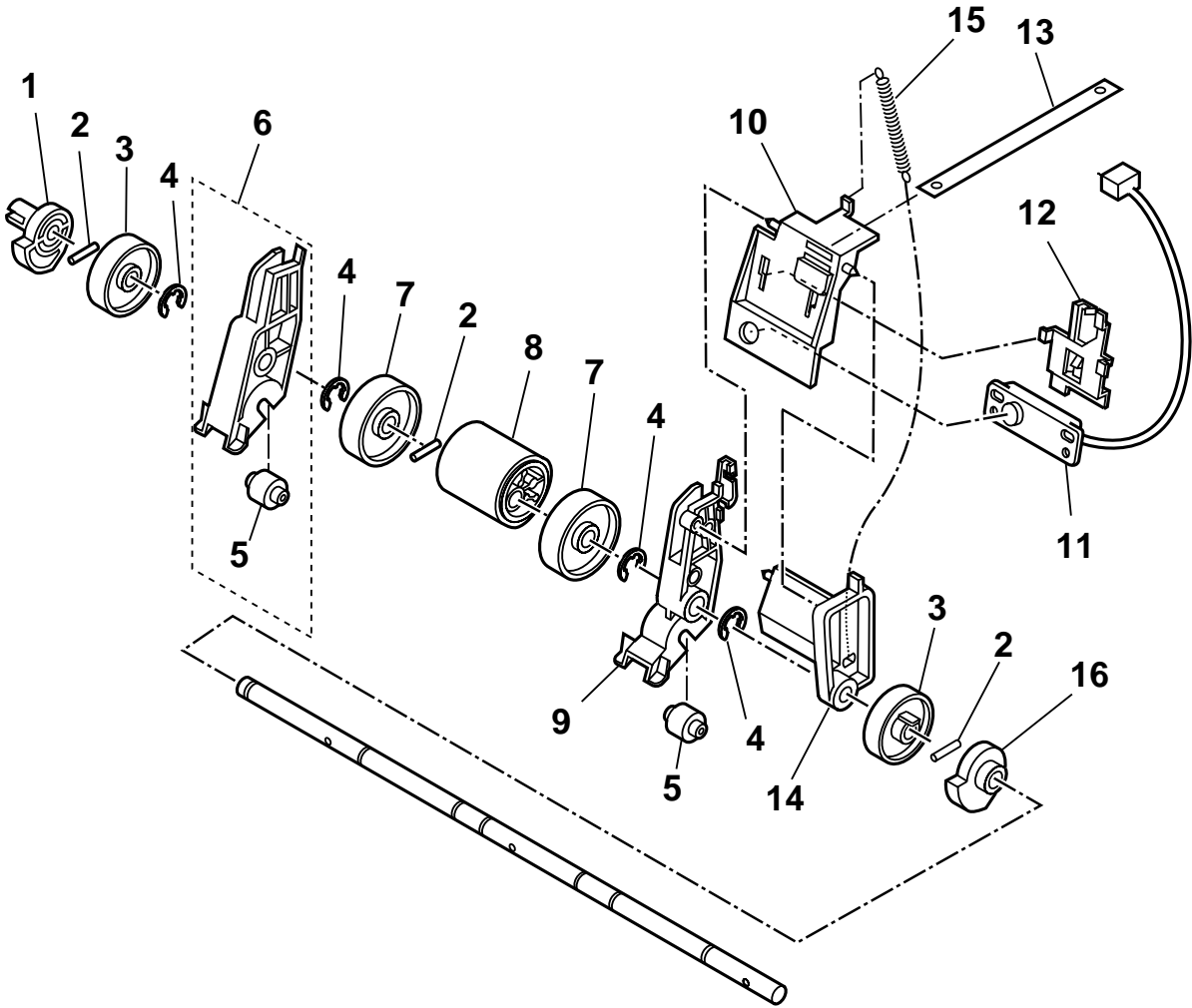


FIGURE & KEY No.	PART No.	RANK	QTY	DESCRIPTION	REMARKS
16 - 1	RB1-7193-000		1	CAM, LEFT	
2	XD9-0159-000		3	PIN, DOWEL	
3	RB2-1703-000		2	ROLLER, SUB	
4	XD9-0131-000		4	RING,E	
5	RB2-1701-000		2	ROLLER, FEED	
6	RG5-3492-000		1	FEED ROLLER ASS'Y, LEFT	
7	RB2-1633-000		2	ROLLER, SUB	
8	RB2-6223-000		1	ROLLER, PAPER PICK-UP	
9	HB1-3013-000		1	HOLDER, ROLLER	
10	HB1-3011-040		1	HOLDER, TONER SENSOR	
11	HH7-2423-000		1	TONER SENSOR ASS'Y	
12	HB1-3012-000		1	SUPPORTER, TONER SENSOR	
13	HB1-3015-000		1	BELT, TONER SENSOR	
14	HB1-3014-000		1	SUB HOLDER, ROLLER	
15	HS5-2139-000		1	SPRING, TONER SENSOR	
16	RB1-7194-000		1	CAM, RIGHT	



FIGURE 17 FEEDER ASS'Y

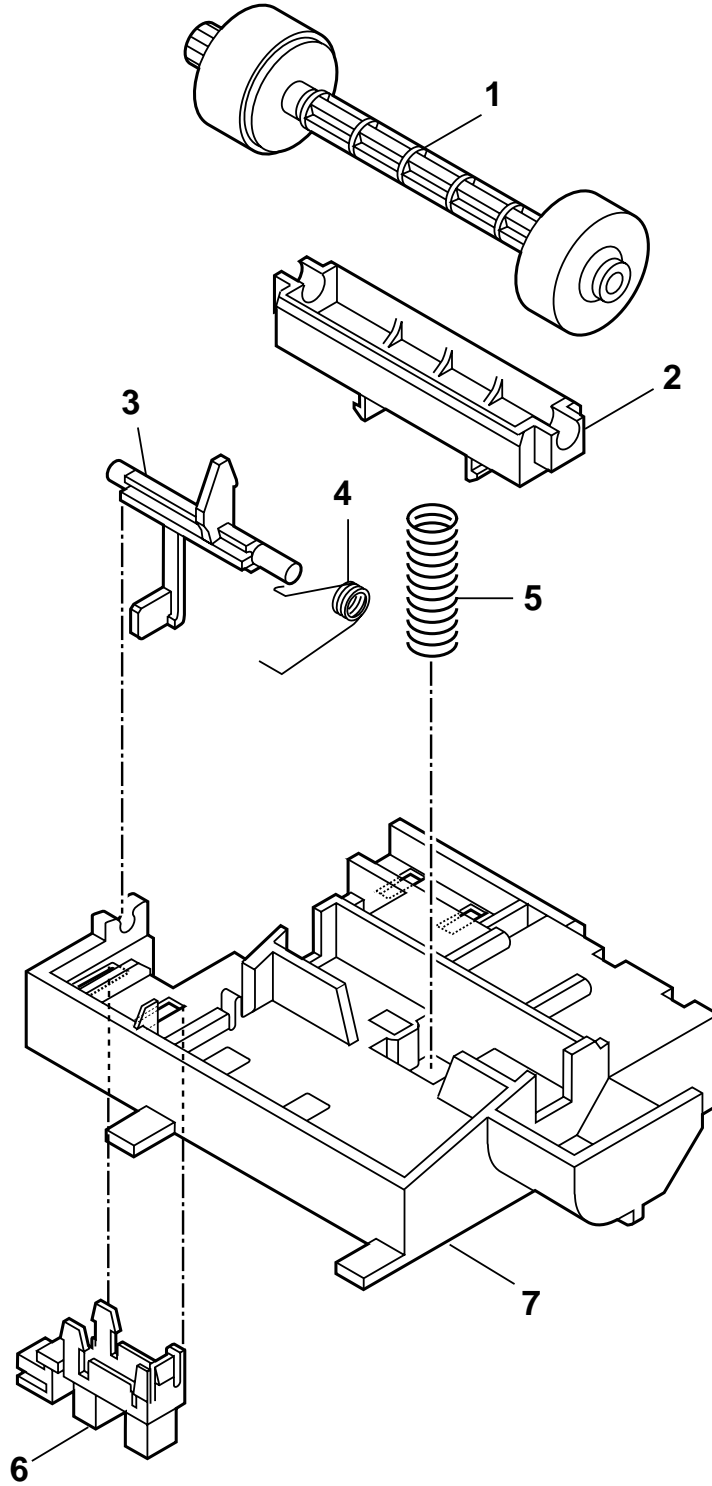


FIGURE & KEY No.	PART No.	RANK	QTY	DESCRIPTION	REMARKS
17 - 1	RB2-1699-000		1	ROLLER	
2	RB1-7203-000		1	ARM, PRESSURE	
3	RB2-1700-030		1	LEVER, REGISTRATION SENSOR	
4	RB1-7205-000		1	SPRING, TORSION	
5	RS5-2503-000		1	SPRING, COMPRESSION	
6	WG8-5362-000		1	PHOTO-INTERRUPTER, TLP1241	
7	RB1-7200-030		1	HOLDER	

FIGURE 18 DELIEVRY ASS'Y

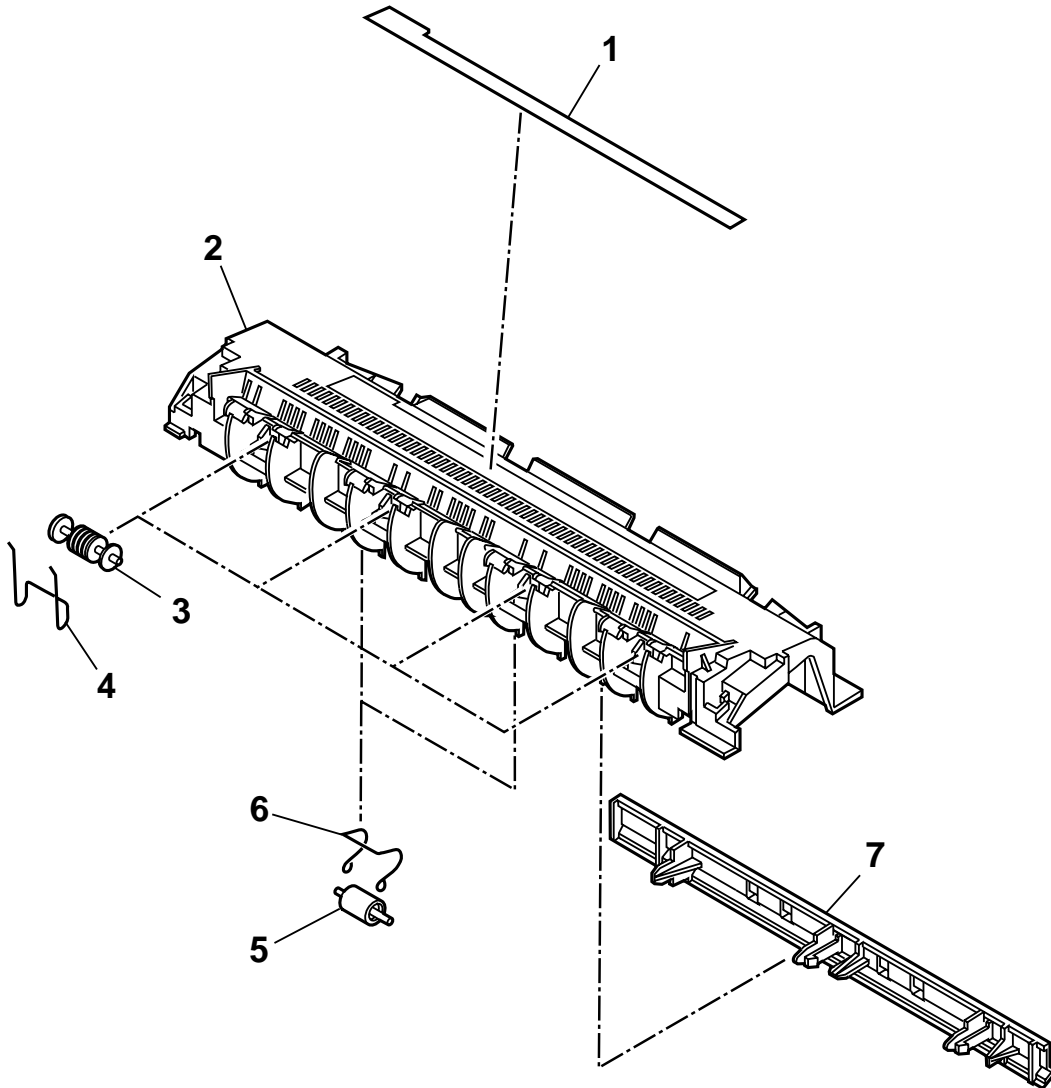
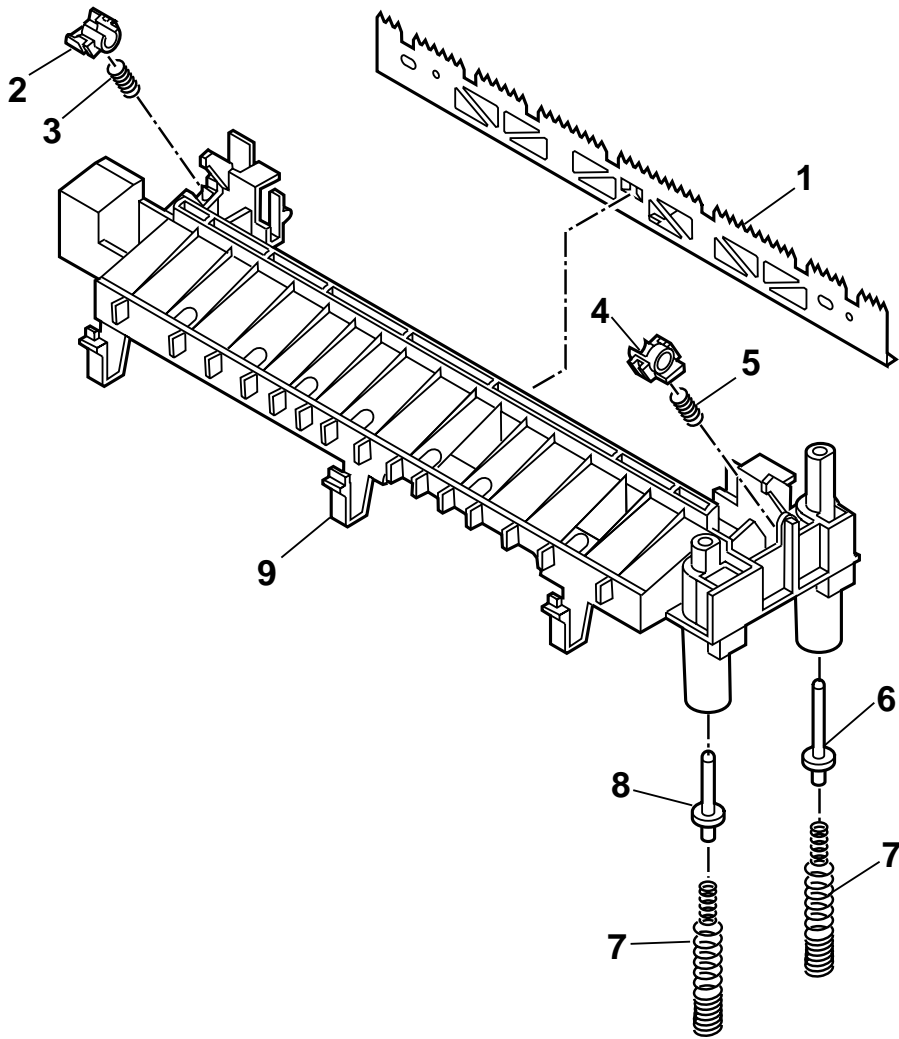


FIGURE & KEY No.	PART No.	R A N K	Q T Y	DESCRIPTION	REMARKS
18 - 1	RS5-8543-020		1	LABEL, "WARNING HIGH TEMP"	
2	RB2-1686-000		1	FRAME	
3	RB1-7284-020		4	ROLLER, FACE DOWN	
4	RB1-7286-000		4	SPRING, WIRE	
5	RB2-1685-000		2	ROLLER, FACE UP	
6	RB1-7287-000		2	SPRING, WIRE	
7	RB1-7334-000		1	GUIDE, JAMMED PAPER REMOVAL	

FIGURE 19 TRANSFER BLOCK ASS'Y



<b>FIGURE &amp; KEY No.</b>	<b>PART No.</b>	<b>RANK</b>	<b>QTY</b>	<b>DESCRIPTION</b>	<b>REMARKS</b>
19 - 1	RB2-1657-000		1	ELIMINATOR, STATIC CHARGE	
2	RB2-1655-000		1	BUSHING	
3	RS5-2504-000		1	SPRING, COMPRESSION	
4	RB2-6214-000		1	BUSHING	
5	RS5-2505-000		1	SPRING, COMPRESSION	
6	RB1-7237-000		1	PIN, CONTACT	
7	RS5-2512-000		2	SPRING, COMPRESSION	
8	RB1-7236-000		1	PIN, CONTACT	
9	RB2-1654-000		1	BLOCK, TRANSFER	
-----					
-----					
-----					
-----					
-----					
-----					
-----					
-----					
-----					
-----					
-----					

FIGURE 20 SEPARATION GUIDE ASS'Y (RECORDING)

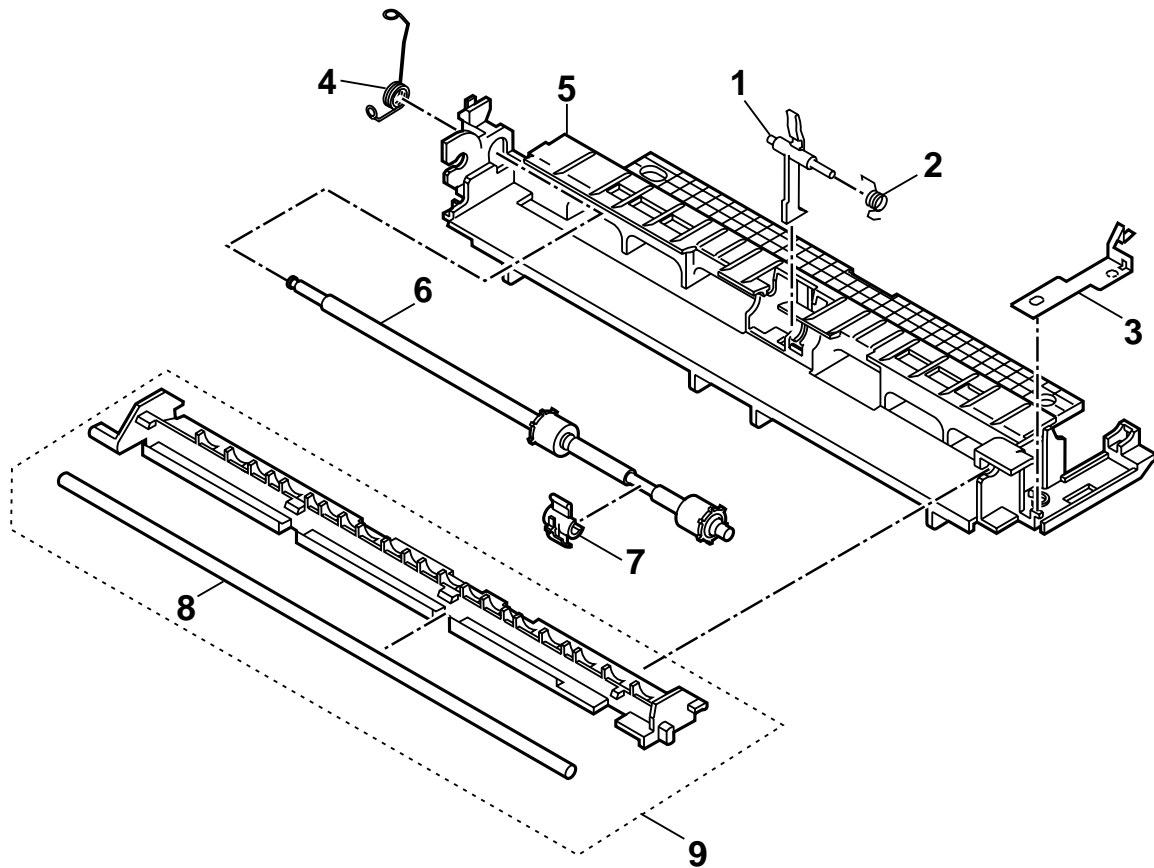


FIGURE & KEY No.	PART No.	RANK	QTY	DESCRIPTION	REMARKS
20 - 1	RB1-7293-030		1	LEVER, SENSOR	
2	RB1-7294-000		1	SPRING, TORSION	
3	RB2-1691-000		1	SPRING, LEAF	
4	RB1-7277-000		1	SPRING, TORSION	
5	RB2-1687-000		1	GUIDE, SEPARATION	
6	RF5-2368-000		1	ROLLER, FACE UP	
7	RB2-1690-000		1	BUSHING	
8	RB2-1689-000		1	ROD, REINFORCEMENT	
9	RG5-3476-030		1	FLAPPER	



FIGURE 21 SCNT BOARD ASS'Y (FAX-L200)

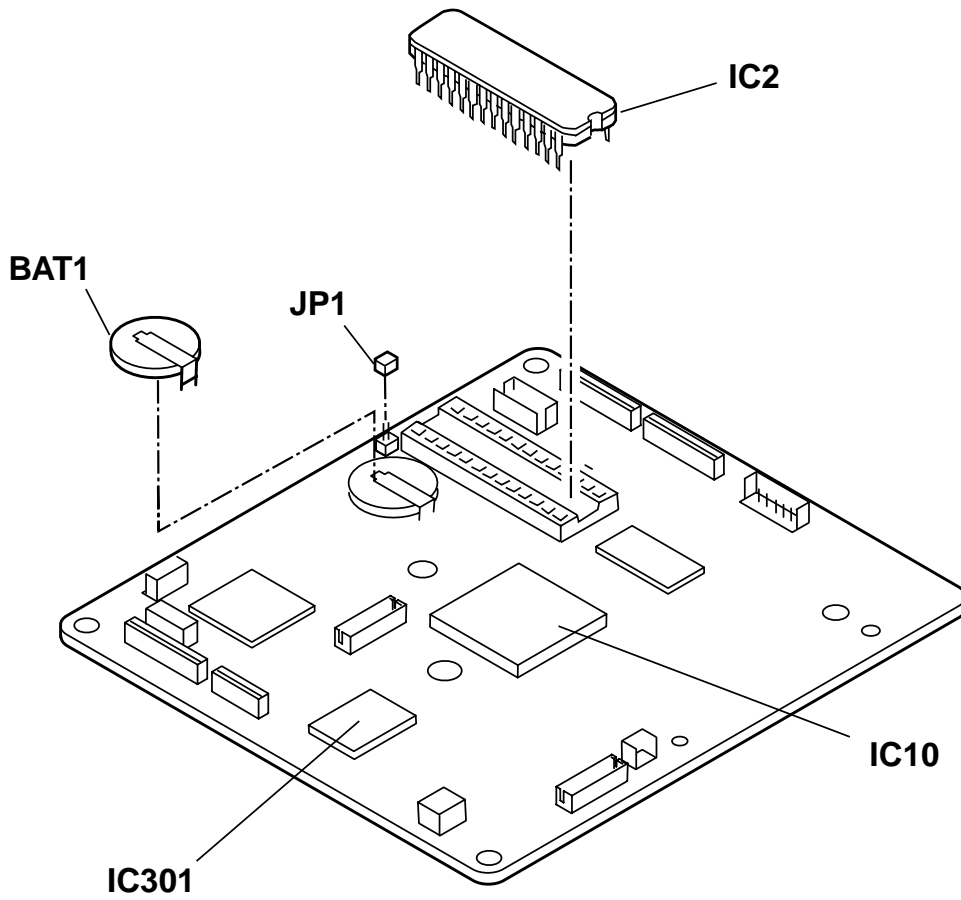


FIGURE & KEY No.	PART No.	RANK	QTY	DESCRIPTION	REMARKS
21 - BAT1	WK1-5130-000		1	BATTERY, LITHIUM, CR2032/1HS	
IC2	HH4-3450-000		1	IC, MR27V1652D-RA, OTP-ROM	
IC10	HH4-3236-000		1	IC, HG73C051FD, GATE-ARRAY	
IC301	HH4-3476-000		1	IC, CX06829-11, MODEM	
JP1	WS1-5397-000	N	1	PLUG, JUMPER	

FIGURE 22 SCNT BOARD ASS'Y (FAX-L280)

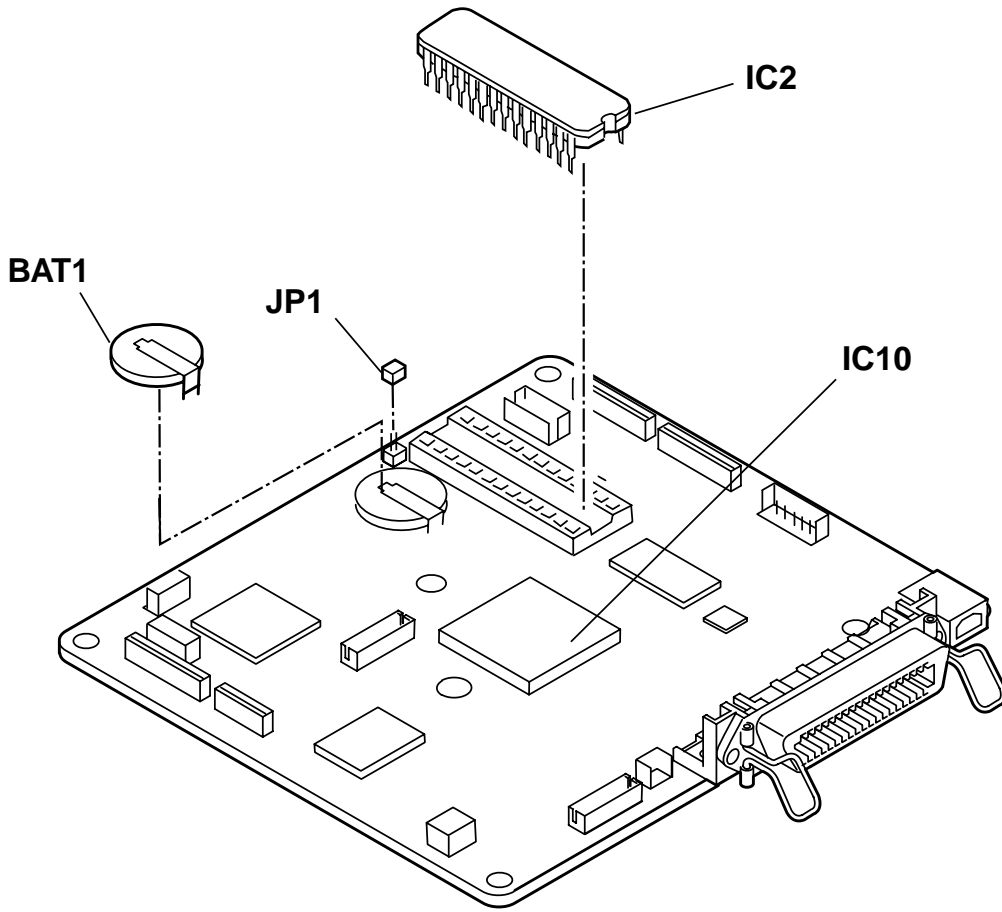


FIGURE & KEY No.	PART No.	R A N K	Q T Y	DESCRIPTION	REMARKS
22 - BAT1	WK1-5130-000		1	BATTERY, LITHIUM, CR2032/1HS	
IC2	HH4-3452-000		1	IC, MR27V1652D-RA, OTP-ROM	
IC10	HH4-3236-000		1	IC, HG73C051FD, GATE-ARRAY	
JP1	WS1-5397-000	N	1	PLUG, JUMPER	

FIGURE 23 PCNT BOARD ASS'Y

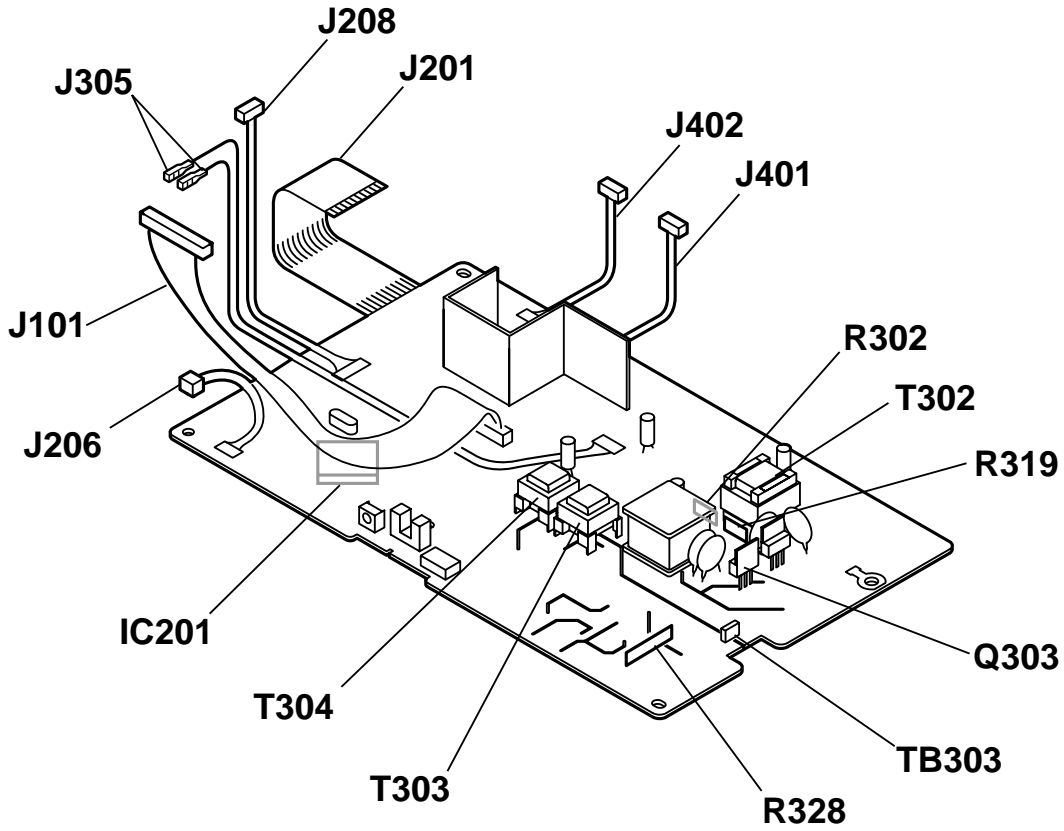


FIGURE & KEY No.	PART No.	RANK	QTY	DESCRIPTION	REMARKS
23 - IC201	HH4-3474-000		1	IC, MB89063, MCU	
J101	HG5-2581-000		1	CABLE WITH CONNECTOR, 13P	
J201	HH2-3083-000		1	CABLE, FLAT, 19P	
J206	HG5-2577-000		1	CABLE WITH CONNECTOR, 2P	
J208	HG5-2576-000		1	CABLE WITH CONNECTOR, 4P	
J305	HG5-2580-000		1	CABLE WITH CONNECTOR, 2P	
J401	HG5-2579-000		1	CABLE WITH CONNECTOR, 4P	
J402	HG5-2578-000		1	CABLE WITH CONNECTOR, 4P	
Q303	RH6-0119-000		1	TRANSISTOR, 2SC5273-01	
R302	RH6-3857-000		1	RESISTOR, 10MOHM, 0.4W	
R319	RH6-3857-000		1	RESISTOR, 10MOHM, 0.4W	
R328	RH6-3860-000		1	RESISTOR, 100MOHM, 0.4W	
T302	RH3-0248-000		1	TRANSFORMER, 500VA UNDER	
T303	RH3-5016-000		1	TRANSFORMER, 500VA UNDER	
T304	RH3-5016-000		1	TRANSFORMER, 500VA UNDER	
TB303	RH2-5330-000		1	CONNECTOR, 2P	

FIGURE 24 NCU BOARD ASS'Y

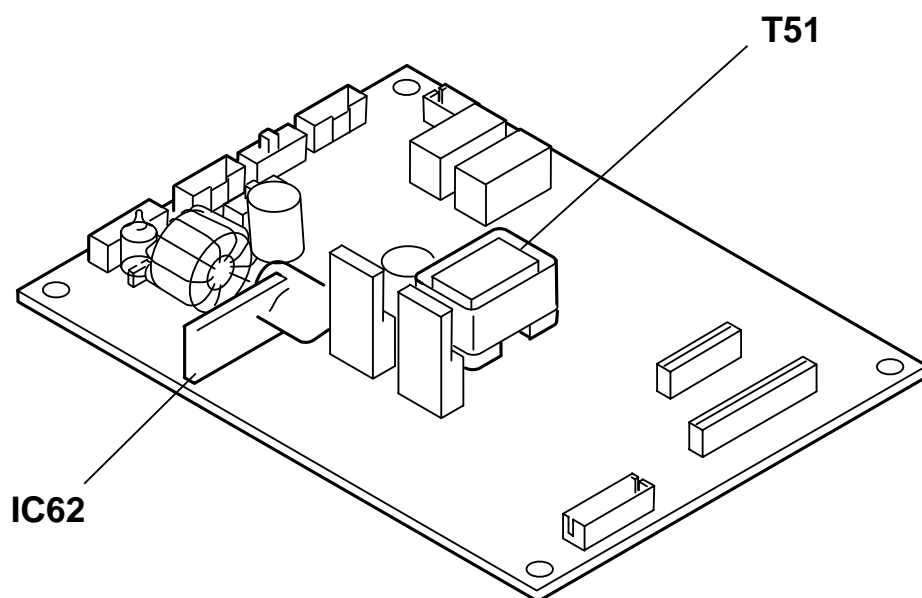


FIGURE & KEY No.	PART No.	R A N K	Q T Y	DESCRIPTION	REMARKS
24 - IC62 T51	HH7-2528-000 HH7-2427-000		1 1	IC, THS-65, HYBRID TRANSFORMER, AUDIO	



**FIGURE 25 MODULAR BOARD ASS'Y**

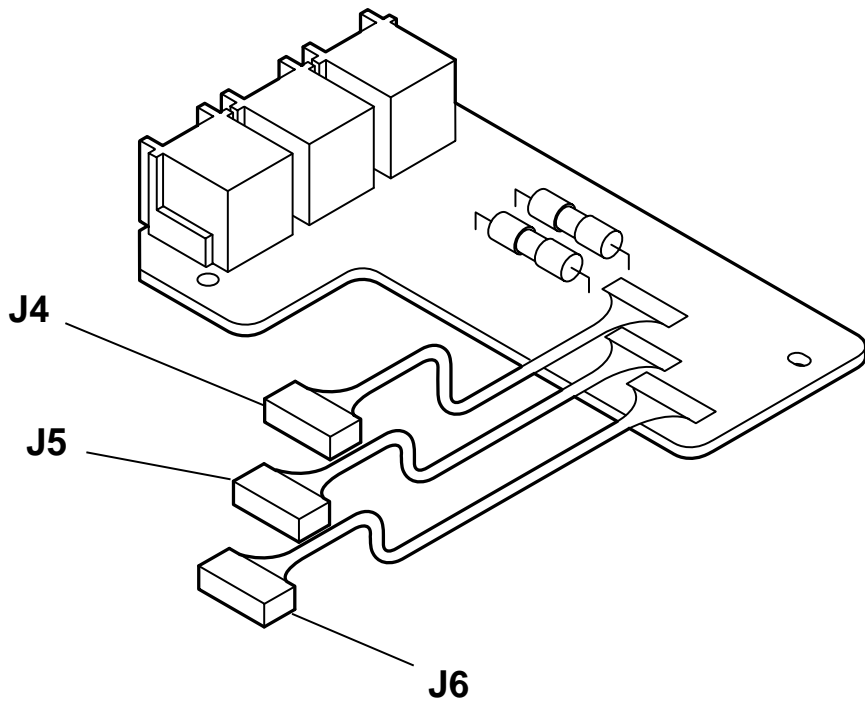


FIGURE & KEY No.	PART No.	R A N K	Q T Y	DESCRIPTION	REMARKS
25 - J4	HG5-2588-000		1	CABLE WITH CONNECTOR, 6P	
J5	HG5-2589-000		1	CABLE WITH CONNECTOR, 4P	
J6	HG5-2590-000		1	CABLE WITH CONNECTOR, 5P	

**FIGURE 26 OPCNT BOARD ASS'Y**

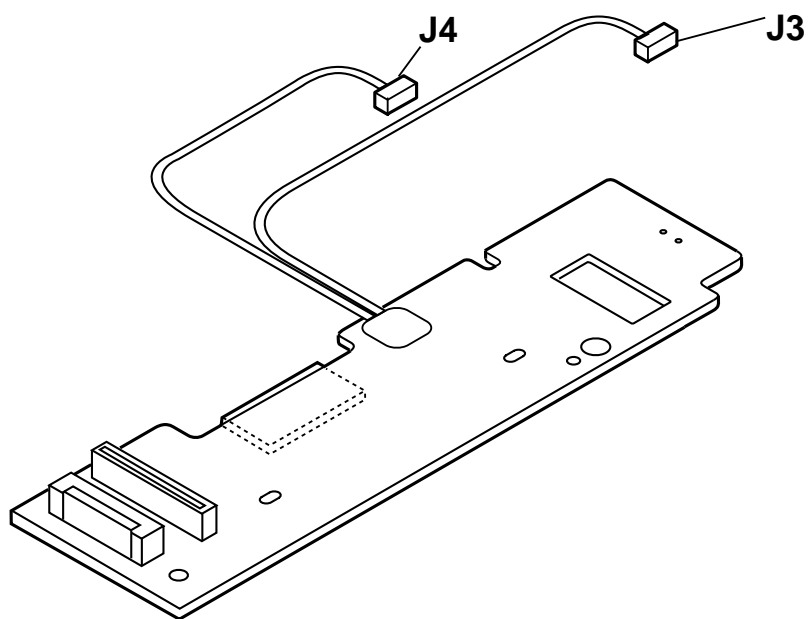


FIGURE & KEY No.	PART No.	R A N K	Q T Y	DESCRIPTION	REMARKS
26 - J3	HG5-2584-000		1	CABLE WITH CONNECTOR, 3P	
J4	HG5-2585-000		1	CABLE WITH CONNECTOR, 3P	

FIGURE 27 TELEPHONE 6 KIT

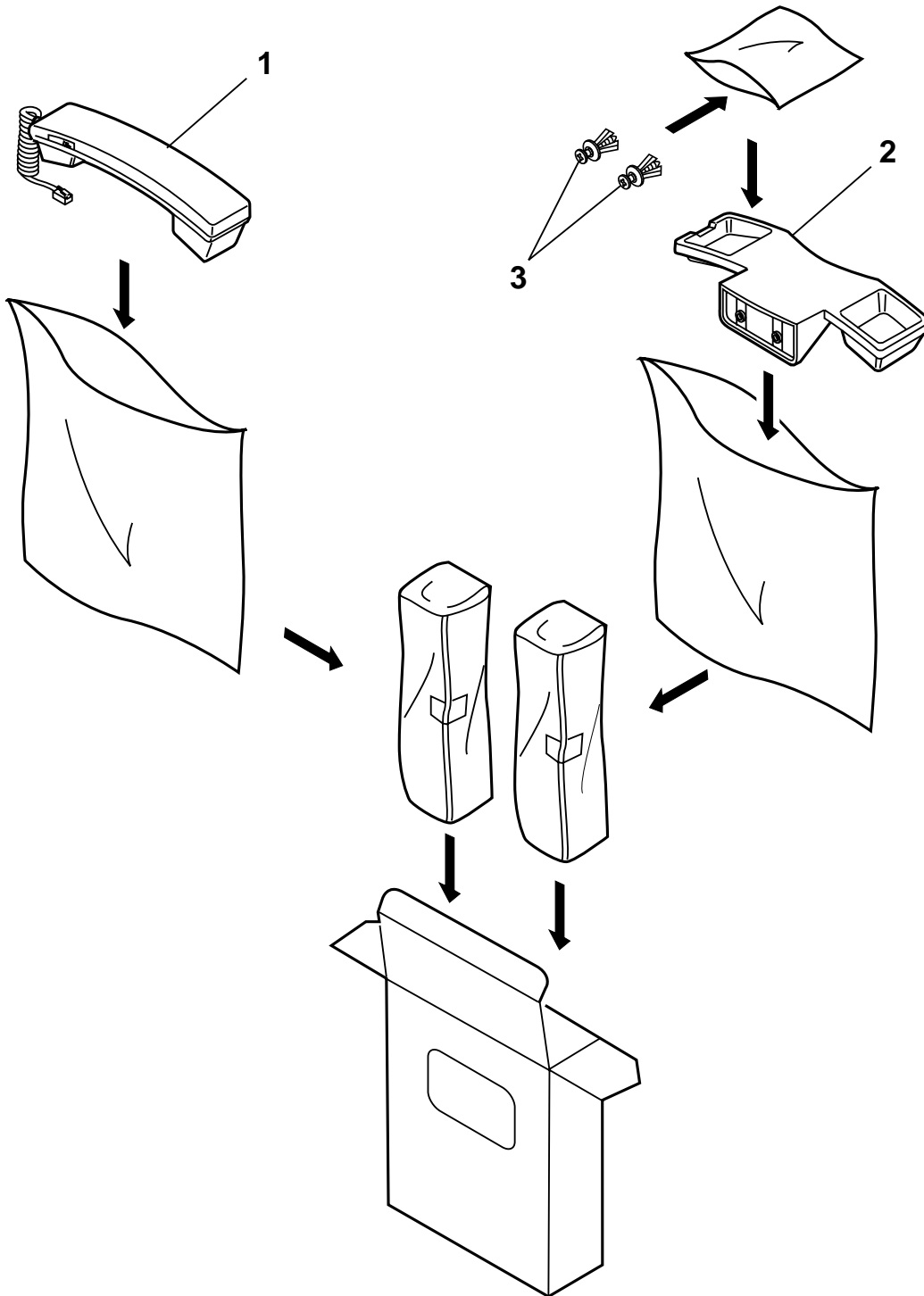


FIGURE & KEY No.	PART No.	R A N K	Q T Y	DESCRIPTION	REMARKS
27 - 1	HH7-2408-000		1	HANDSET UNIT	EU
	HH7-2460-000		1	HANDSET UNIT	UK
2	HB1-1264-000		1	HANDSET CRADLE	
3	WT2-5465-000		2	RIVET	
-----					
-----					
-----					
-----					
-----					
-----					
-----					

# 3. TOOL

FIGURE 28 TOOLS

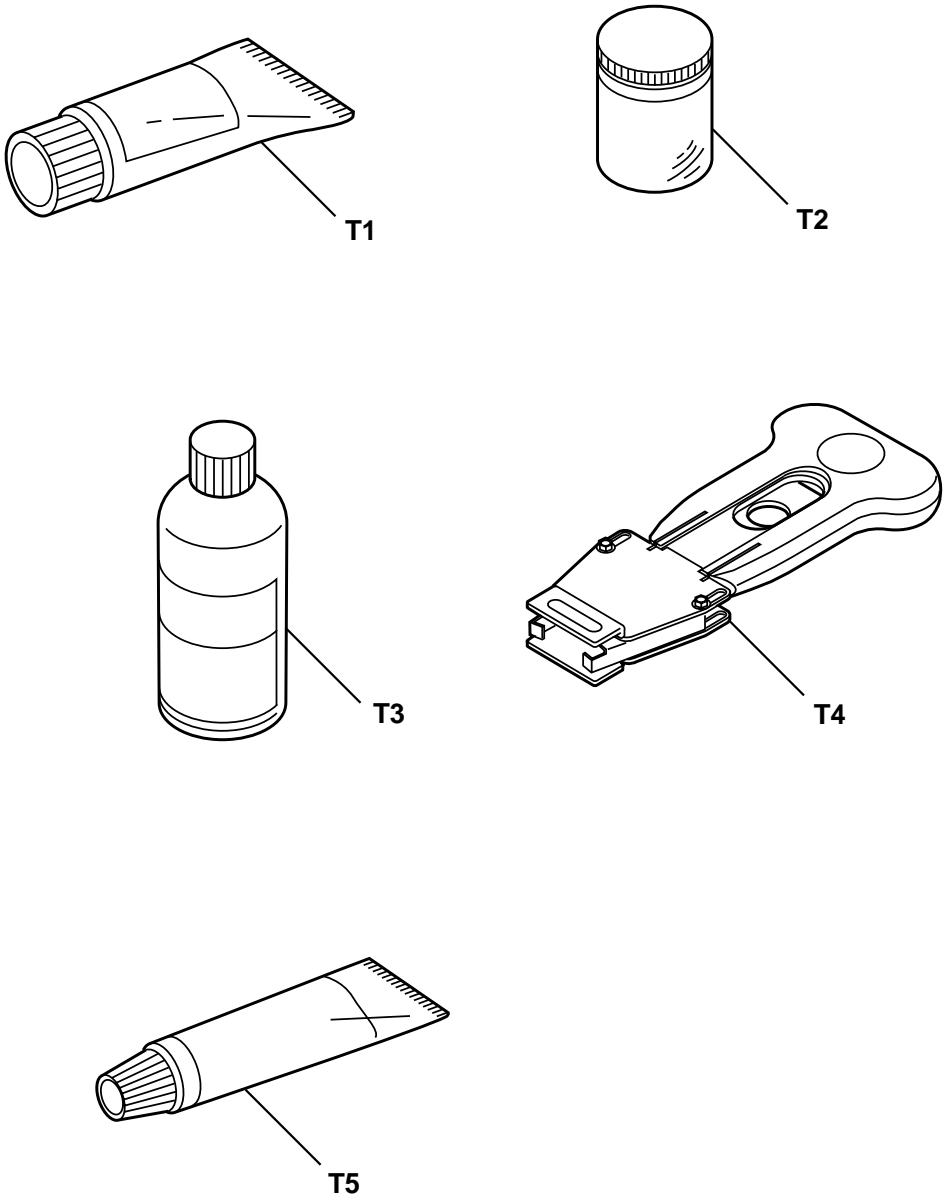


FIGURE & KEY No.	PART No.	RANK	QTY	DESCRIPTION	REMARKS
28 - T1	HY9-0007-000		1	LUBE, MOLYKOTE EM-50L, GREASE	
T2	CK-8006-000		1	ELECTRICITY GREASE (IF-20)	
T3	CK-0451-000		1	LUBE, UNIWAY 68, OIL	
T4	HY9-0022-000		1	IC-REMOVING TOOL (24-64P)	
T5	HY9-0023-000		1	LUBE, MOLYKOTE EMD-110, GREASE	

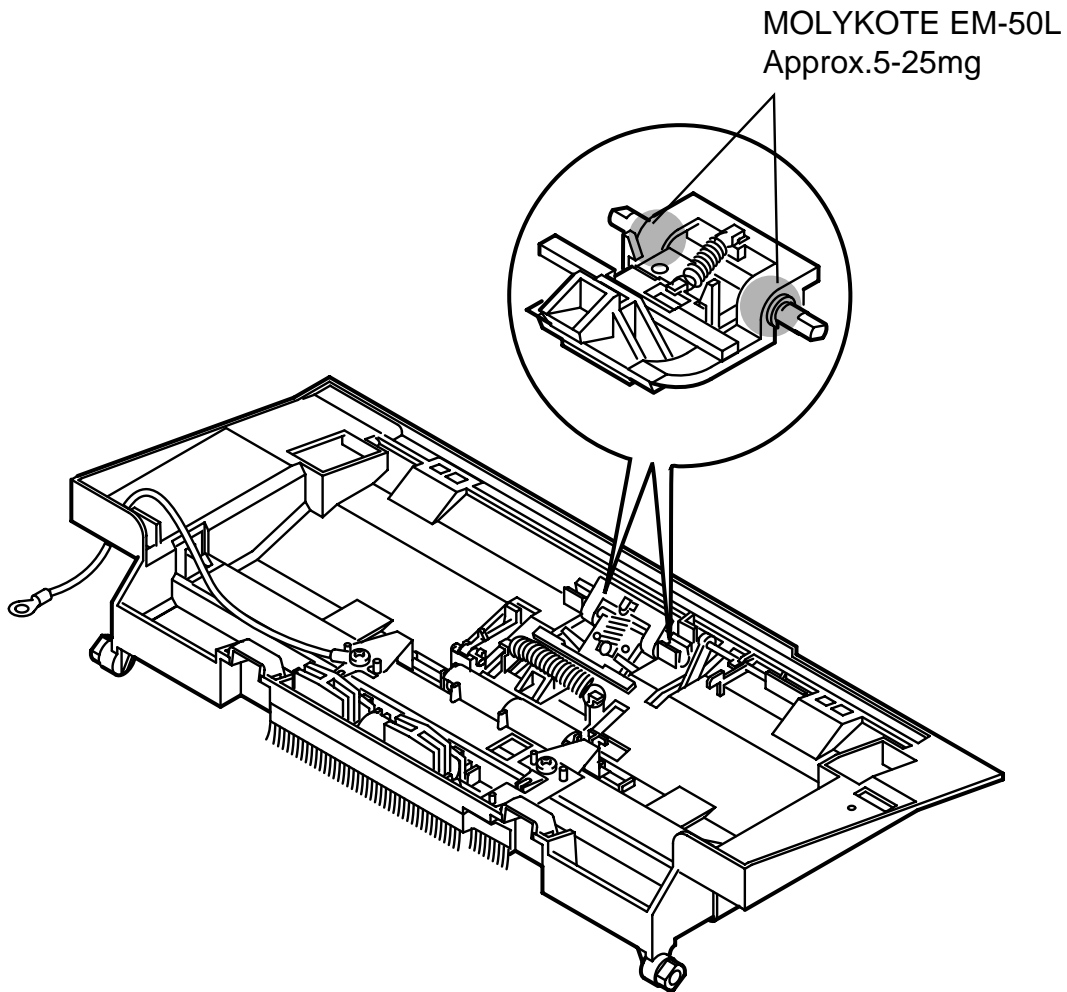


# 4. LUBRICATIONS

## 4.1 Locations

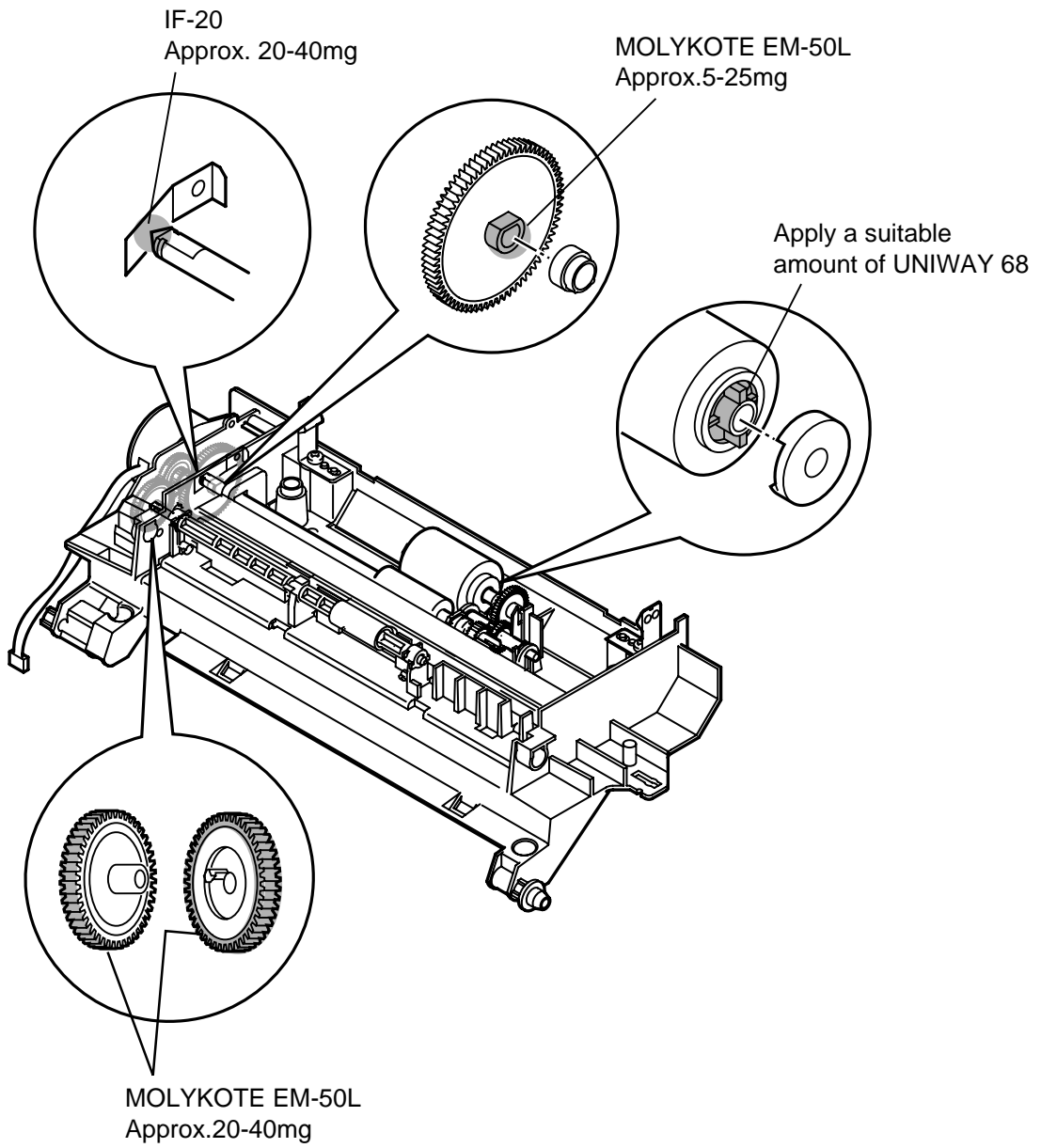
Some parts are lubricated with grease to ensure smooth operation and to increase conductivity. If lubricated parts are replaced or grease is removed, grease must be reapplied.

### 4.1.1 ADF UPPER



See FIGURE 8 for the disassembly

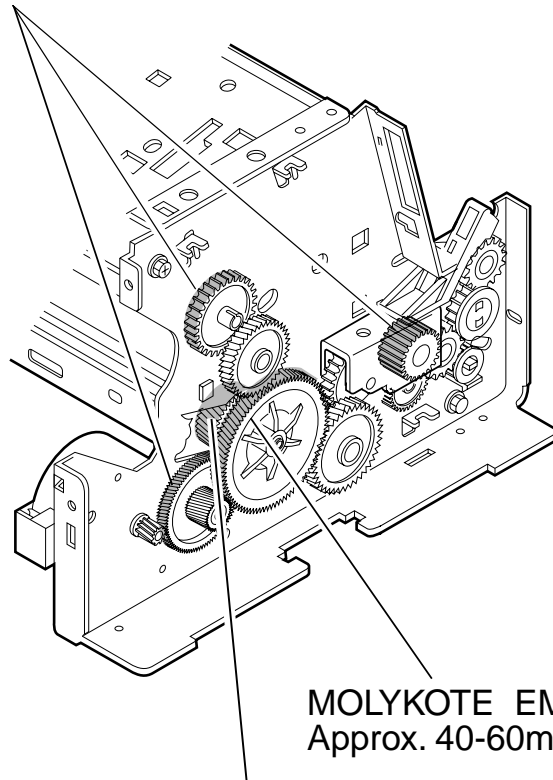
4.1.2 ADF LOWER



See FIGURE 10 for the disassembly

### 4.1.3 DRIVE GEARS

MOLYKOTE EM-50L  
Approx. 20-40mg



MOLYKOTE EM-50L  
Approx. 40-60mg

MOLYKOTE EM-50L  
Approx. 10-25mg

See FIGURE 13 for the disassembly

**This page intentionally left blank**

# 5. NUMERICAL INDEX

PART NUMBER	FIGURE & KEY NO	DESCRIPTION	PART NUMBER	FIGURE & KEY NO	DESCRIPTION
CK-0451-000	28 - T3	LUBE, UNIWAY 68, OIL	HB1-4835-000	6 - 3	DUCT, AIR
CK-8006-000	28 - T2	ELECTRICITY GREASE (IF-20)	HB1-4836-000	6 - 5	LEVER, ADF RELEASE
HA2-0868-000	1 - 7	LABEL, MERCURY	HB1-4837-000	9 - 1	HOLDER, SENSOR
HB1-1264-000	27 - 2	HANDSET CRADLE	HB1-4838-000	8 - 4	FRAME, ADF UPPER
HB1-1779-000	10 - 3	SPACER	HB1-4839-000	8 - 5	ARM, DETECTION (DS)
HB1-2863-000	8 - 7	STOPPER, DOCUMENT	HB1-4840-000	8 - 6	GUIDE, DOCUMENT EJECT
HB1-2864-000	8 - 8	ROLLER, BACK UP	HB1-4842-000	9 - 2	COVER, OPERATION PANEL
HB1-2866-000	8 - 9	PLATE, PRESSURE	HB1-4843-000	9 - 3	KEY TOP, DIAL
HB1-2991-000	3 - 1	PIN, TAPER	HB1-4844-000	9 - 4	KEY TOP, ONE TOUCH DIAL
HB1-3008-000	2 - 6	RACK	HB1-4845-000	9 - 5	KEY TOP, MAIN
HB1-3011-040	16 - 10	HOLDER, TONER SENSOR	HB1-4846-000	9 - 6	KEY TOP, FUNCTION
HB1-3012-000	16 - 12	SUPPORTER, TONER SENSOR	HB1-4848-000	8 - 1	COVER, ONE TOUCH DIAL
HB1-3013-000	16 - 9	HOLDER, ROLLER	HB1-4850-000	10 - 1	FRAME, ADF LOWER
HB1-3014-000	16 - 14	SUB HOLDER, ROLLER	HB1-4852-000	8 - 3	SHEET, OPERATION PANEL
HB1-3015-000	16 - 13	BELT, TONER SENSOR	HB1-4853-000	8 - 20	SHEET, ONE TOUCH DIAL
HB1-3018-000	11 - 1	STOPPER, TAPE	HB1-4854-000	1 - 11	LABEL, WARNING
HB1-3019-000	14 - 5	STOPPER, CARTRIDGE	HB1-4855-000	1 - 5	COVER, OPERATION
HB1-3023-000	5 - 8	HOLDER, SPEAKER		8 - 21	
HB1-3036-000	10 - 19	PLATE, GROUNDING	HB1-4856-000	10 - 2	ROLLER, SEPARATION
HB1-3109-020	10 - 22	STOPPER, CRG	HB1-4859-000	8 - 3	SHEET, OPERATION PANEL
HB1-3257-000	8 - 10	STOPPER, OPERATION PANEL	HB1-4860-000	8 - 20	SHEET, ONE TOUCH DIAL
	10 - 23		HB1-4861-000	8 - 3	SHEET, OPERATION PANEL
HB1-3418-000	11 - 5	PLATE, GROUNDING	HB1-4862-000	8 - 20	SHEET, ONE TOUCH DIAL
HB1-4072-000	8 - 11	BRUSH, STATIC DISCHARGE	HB1-5058-000	8 - 22	PLATE, GROUNDING
HB1-4261-000	10 - 25	SHEET	HF5-0375-000	10 - 16	LOCK, OPERATION PANEL
HB1-4307-000	10 - 4	ROLLER, DOCUMENT FEED	HF5-0399-000	8 - 18	WHITE SHEET UNIT
HB1-4310-000	8 - 12	ARM, DETECTION (DES)	HF5-0543-000	10 - 17	ROLLER, DOCUMENT EJECT
HB1-4324-000	6 - 1	DUCT, AIR	HG5-1290-000	11 - 2	ACTUATOR UNIT
HB1-4357-000	1 - 6	LABEL, DESTINATION	HG5-2408-000	12 - 5	FIXING ASS'Y
HB1-4361-000	4 - 9	SPACER	HG5-2546-000	15 - 23	PICKUP ROLLER ASS'Y
	5 - 12		HG5-2548-000	15 - 26	FEEDER ASS'Y
HB1-4704-000	5 - 13	FOOT, PRINTER	HG5-2549-000	2 - 2	AUTO PAPER FEED ASS'Y
HB1-4813-000	2 - 1	COVER, MAIN	HG5-2556-000	8 - 19	SEPARATION GUIDE ASS'Y
HB1-4814-000	2 - 1	COVER, MAIN	HG5-2557-000	8 - 2	OPERATION PANEL ASS'Y
HB1-4815-000	5 - 16	COVER, FRONT	HG5-2561-000	5 - 9	SPEAKER UNIT
HB1-4816-000	2 - 12	COVER, CONNECTOR	HG5-2562-000	5 - 17	MODULAR BOARD ASS'Y
HB1-4817-000	5 - 15	LEVER, FLAPPER	HG5-2563-000	5 - 2	PCNT BOARD ASS'Y
HB1-4818-000	1 - 1	TRAY, SUPPORT	HG5-2564-000	9 - 10	OPCNT BOARD ASS'Y
HB1-4819-000	1 - 2	TRAY, MULTI-PURPOSE	HG5-2565-000	4 - 4	SCNT BOARD ASS'Y
HB1-4820-000	1 - 3	COVER, MULTI-PURPOSE TRAY	HG5-2566-000	4 - 4	SCNT BOARD ASS'Y
HB1-4821-000	1 - 4	SUPPORT, DOCUMENT	HG5-2567-000	5 - 5	CABLE WITH CONNECTOR, 7P
HB1-4822-000	1 - 5	COVER, OPERATION	HG5-2568-000	15 - 27	CABLE WITH CONNECTOR, 3P
	8 - 21		HG5-2573-000	4 - 8	CABLE WITH CONNECTOR, 6P
HB1-4824-000	5 - 10	GUIDE, CABLE	HG5-2576-000	23 - J208	CABLE WITH CONNECTOR, 4P
HB1-4825-000	15 - 13	HOLDER, STOPPER	HG5-2577-000	23 - J206	CABLE WITH CONNECTOR, 2P
HB1-4826-000	2 - 5	TRAY, AUTO PAPER FEED	HG5-2578-000	23 - J402	CABLE WITH CONNECTOR, 4P
HB1-4827-000	2 - 3	GUIDE, AUTO PAPER FEED, LEFT	HG5-2579-000	23 - J401	CABLE WITH CONNECTOR, 4P
HB1-4828-000	2 - 4	GUIDE, AUTO PAPER FEED, RIGHT	HG5-2580-000	23 - J305	CABLE WITH CONNECTOR, 2P
HB1-4830-000	6 - 2	GUIDE, FACE DOWN	HG5-2581-000	23 - J101	CABLE WITH CONNECTOR, 13P
HB1-4831-000	7 - 2	COVER, CARTRIDGE	HG5-2582-000	5 - 4	CABLE WITH CONNECTOR, 2P
HB1-4832-000	6 - 4	GUIDE, PAPER EJECT	HG5-2583-000	10 - 24	CABLE WITH CONNECTOR, 7P
HB1-4833-000	7 - 3	GUIDE, DOCUMENT FEED, LEFT	HG5-2584-000	26 - J3	CABLE WITH CONNECTOR, 3P
HB1-4834-000	7 - 4	GUIDE, DOCUMENT FEED, RIGHT	HG5-2585-000	26 - J4	CABLE WITH CONNECTOR, 3P

PART NUMBER	FIGURE & KEY NO	DESCRIPTION	PART NUMBER	FIGURE & KEY NO	DESCRIPTION
HG5-2587-000	4 - 3	NCU BOARD ASS'Y	HY9-0023-000	28 - T5	LUBE, MOLYKOTE EMD-110, GREASE
HG5-2588-000	25 - J4	CABLE WITH CONNECTOR, 6P	RB1-7107-000	14 - 6	HOLDER, GEAR
HG5-2589-000	25 - J5	CABLE WITH CONNECTOR, 4P	RB1-7129-000	14 - 12	SPRING, GROUNDING
HG5-2590-000	25 - J6	CABLE WITH CONNECTOR, 5P	RB1-7130-020	14 - 8	GUIDE, CABLE
HG5-2699-000	4 - 7	CABLE WITH CONNECTOR, 6P	RB1-7172-000	15 - 11	SPRING, GROUNDING
HH2-1914-000	1 - 9	MODULAR CORD, 6P	RB1-7177-000	15 - 25	FRAME, PAPER FEED
HH2-2074-000	1 - 9	MODULAR CORD (GERM)	RB1-7184-000	15 - 24	BUSHING
HH2-2219-000	1 - 9	MODULAR CORD	RB1-7185-000	15 - 3	ARM, PLATE, LEFT
HH2-3055-000	9 - 7	CABLE, FLAT, 20P	RB1-7186-000	15 - 4	ARM, PLATE, RIGHT
HH2-3056-000	4 - 1	CABLE, FLAT, 14P	RB1-7193-000	16 - 1	CAM, LEFT
HH2-3057-000	4 - 2	CABLE, FLAT, 23P	RB1-7194-000	16 - 16	CAM, RIGHT
HH2-3083-000	23 - J201	CABLE, FLAT, 19P	RB1-7197-020	15 - 22	CLUTCH
HH3-5365-000	5 - 3	POWER SUPPLY UNIT	RB1-7200-030	17 - 7	HOLDER
HH4-3236-000	21 - IC10	IC, HG73C051FD, GATE-ARRAY	RB1-7203-000	17 - 2	ARM, PRESSURE
	22 - IC10		RB1-7205-000	17 - 4	SPRING, TORSION
HH4-3450-000	21 - IC2	IC, MR27V1652D-RA, OTP-ROM	RB1-7206-000	15 - 10	HOLDER, ARM
HH4-3452-000	22 - IC2	IC, MR27V1652D-RA, OTP-ROM	RB1-7219-000	15 - 12	STOPPER
HH4-3474-000	23 - IC201	IC, MB89063, MCU	RB1-7221-000	15 - 16	SHAFT, DRIVE
HH4-3476-000	21 - IC301	IC, CX06829-11, MODEM	RB1-7222-000	15 - 17	BUSHING
HH4-3512-000	1 - 12	CD-ROM, DRIVER SOFTWARE	RB1-7224-000	15 - 19	RATCHET
HH7-2408-000	27 - 1	HANDSET UNIT	RB1-7236-000	19 - 8	PIN, CONTACT
HH7-2423-000	16 - 11	TONER SENSOR ASS'Y	RB1-7237-000	19 - 6	PIN, CONTACT
HH7-2427-000	24 - T51	TRANSFORMER, AUDIO	RB1-7246-000	14 - 9	BUSHING
HH7-2460-000	27 - 1	HANDSET UNIT	RB1-7247-000	12 - 4	GUIDE, PAPER
HH7-2520-000	10 - 18	CONTACT SENSOR UNIT	RB1-7277-000	20 - 4	SPRING, TORSION
HH7-2521-000	9 - 8	LCD UNIT	RB1-7284-020	18 - 3	ROLLER, FACE DOWN
HH7-2522-000	10 - 20	MOTOR, DOCUMENT FEED	RB1-7286-000	18 - 4	SPRING, WIRE
HH7-2528-000	24 - IC62	IC, THS-65, HYBRID	RB1-7287-000	18 - 6	SPRING, WIRE
HH7-2529-000	9 - 11	MEMBRANE UNIT	RB1-7288-020	12 - 11	BUSHING
HS1-1063-000	10 - 5	BUSHING	RB1-7293-030	20 - 1	LEVER, SENSOR
HS5-0254-000	2 - 8	GEAR, Z16	RB1-7294-000	20 - 2	SPRING, TORSION
	7 - 6		RB1-7334-000	18 - 7	GUIDE, JAMMED PAPER REMOVAL
HS5-0311-000	10 - 6	GEAR, Z82D	RB1-7341-030	12 - 10	GUIDE, SUB, CARTRIDGE, RIGHT
HS5-0312-000	10 - 7	GEAR, Z59D	RB1-7344-020	5 - 1	COVER, AC CABLE
HS5-0313-000	10 - 8	GEAR, Z21/Z54	RB1-8170-000	13 - 1	LEVER, RELEASE, D
HS5-0314-000	10 - 9	GEAR, Z40D	RB2-1633-000	16 - 7	ROLLER, SUB
HS5-0315-000	10 - 10	GEAR, Z21D	RB2-1654-000	19 - 9	BLOCK, TRANSFER
HS5-0316-000	10 - 11	GEAR, Z21/28B	RB2-1655-000	19 - 2	BUSHING
HS5-1070-030	10 - 12	BUSHING	RB2-1657-000	19 - 1	ELIMINATOR, STATIC CHARGE
HS5-1090-000	10 - 13	BUSHING	RB2-1668-000	12 - 2	RUBBER, CONTINUITY
HS5-2077-000	10 - 14	SPRING, CLUTCH	RB2-1685-000	18 - 5	ROLLER, FACE UP
HS5-2078-000	8 - 13	SPRING	RB2-1686-000	18 - 2	FRAME
HS5-2129-000	8 - 14	SPRING, WHITE SHEET	RB2-1687-000	20 - 5	GUIDE, SEPARATION
HS5-2139-000	16 - 15	SPRING, TONER SENSOR	RB2-1689-000	20 - 8	ROD, REINFORCEMENT
HS5-2141-020	2 - 7	SPRING, SLIDER	RB2-1690-000	20 - 7	BUSHING
	7 - 5		RB2-1691-000	20 - 3	SPRING, LEAF
HS5-6023-030	8 - 15	ROLLER, BACK UP	RB2-1699-000	17 - 1	ROLLER
HS5-6069-000	8 - 16	ROLLER, DELIVERY	RB2-1700-030	17 - 3	LEVER, REGISTRATION SENSOR
HT1-2166-000	1 - 10	USER'S GUIDE (ENGLISH)	RB2-1701-000	16 - 5	ROLLER, FEED
HT1-3099-000	1 - 10	USER'S GUIDE (MODELE FRANCE)	RB2-1703-000	16 - 3	ROLLER, SUB
HT1-5075-000	1 - 10	USER'S GUIDE (DEUTSCH)	RB2-1706-000	15 - 1	SHEET, SEPARATION
HY9-0007-000	28 - T1	LUBE, MOLYKOTE EM-50L, GREASE	RB2-6214-000	19 - 4	BUSHING
HY9-0022-000	28 - T4	IC-REMOVING TOOL (24-64P)	RB2-6220-000	5 - 6	COVER, WATERPROOF

**FAX-L200/L280 5.NUMERICAL INDEX**

PART NUMBER	FIGURE & KEY NO	DESCRIPTION	PART NUMBER	FIGURE & KEY NO	DESCRIPTION
RB2-6221-000	15 - 6	ARM, SEPARATION	VS1-5057-002	14 - 10	CONNECTOR, 2P
RB2-6223-000	16 - 8	ROLLER, PAPER PICK-UP	WG8-5362-000	9 - 9	PHOTO-INTERRUPTER, TLP1241
RF5-1492-000	15 - 8	PAD, LEFT		17 - 6	
RF5-1493-000	15 - 9	PAD, RIGHT	WK1-5130-000	21 - BAT1	BATTERY, LITHIUM, CR2032/1HS
RF5-1513-000	13 - 2	ARM, SWING		22 - BAT1	
RF5-1514-020	14 - 1	GUIDE, CARTRIDGE,LEFT	WS1-5397-000	21 - JP1	PLUG, JUMPER
RF5-1515-020	14 - 4	GUIDE, CARTRIDGE		22 - JP1	
RF5-1533-000	14 - 11	PLATE, CONTINUITY	WT2-0317-000	4 - 5	CLIP, CABLE
RF5-1534-000	14 - 2	ROLLER, TRANSFER		5 - 11	
RF5-2358-000	14 - 3	GUIDE, TRANSFER	WT2-5026-000	4 - 6	CLIP, CABLE
RF5-2367-000	12 - 13	ROLLER, FEEDER	WT2-5134-000	11 - 10	CLAMP, CABLE
RF5-2368-000	20 - 6	ROLLER, FACE UP	WT2-5465-000	27 - 3	RIVET
RF5-2372-000	15 - 2	PLATE, MIDDLE	WT3-5020-000	1 - 8	CORD, POWER
RF5-3256-000	11 - 9	MOUNT, SENSING LEVER	WT3-5058-000	1 - 8	CORD, POWER
RF5-5479-000	12 - 3	ROLLER, PRESSURE	XA9-0476-000	2 - 9	SCREW, TP M3X8
RG5-1947-000	15 - 21	FEEDER DRIVE ASS'Y		7 - 7	
RG5-3475-040	14 - 13	SEPARATION GUIDE ASS'Y	XA9-0724-000	14 - 7	SCREW, M3X8
RG5-3476-030	20 - 9	FLAPPER	XA9-0863-000	4 - 11	SCREW, TAP M3X6
RG5-3492-000	16 - 6	FEED ROLLER ASS'Y, LEFT		5 - 18	
RG5-5473-000	11 - 4	SCANNER ASS'Y	XA9-0931-000	2 - 10	SCREW, RS, M3X12
RG5-5481-000	14 - 14	TRANSFER BLOCK ASS'Y	XA9-1261-000	11 - 7	SCREW, TP, M3X8
RG5-5482-000	12 - 8	DELIVERY ASS'Y	XA9-1262-000	15 - 15	SCREW, M4X10
RH2-5330-000	23 - TB303	CONNECTOR, 2P	XA9-1263-000	13 - 12	SCREW, TP, M3X5
RH3-0248-000	23 - T302	TRANSFORMER, 500VA UNDER	XB1-2300-407	10 - 21	SCREW, BH3X4 (S)
RH3-5016-000	23 - T303	TRANSFORMER, 500VA UNDER	XB1-2300-807	3 - 2	SCREW, CROSS-RECESS, FCH
	23 - T304			4 - 10	
RH6-0119-000	23 - Q303	TRANSISTOR, 2SC5273-01	XB2-7300-607	5 - 7	SCREW, M3X6
RH6-3857-000	23 - R302	RESISTOR, 10MOHM, 0.4W	XB3-6300-800	5 - 14	SCREW, RS, M3X8
	23 - R319			11 - 6	
RH6-3860-000	23 - R328	RESISTOR, 100MOHM, 0.4W		12 - 9	
RH7-1450-000	13 - 13	MOTOR, STEPPING, DC 4.8W	XB4-7300-807	8 - 17	SCREW, TAP TIGHT, BINDING HEAD
RH7-5265-000	15 - 14	SOLENOID		10 - 15	
RS5-0786-000	15 - 20	GEAR, 24T		11 - 8	
RS5-0788-000	13 - 7	GEAR, 32T/93T	XB4-7301-009	8 - 23	SCREW, BINDING HEAD SELF-TPG
RS5-0789-000	13 - 4	GEAR, 37T		9 - 12	
RS5-0790-000	13 - 8	GEAR, 54T/19T	XB4-7301-409	2 - 11	SCREW, TAPPING M3X14
RS5-0791-000	13 - 3	GEAR, 36T	XB4-7401-007	6 - 6	SCREW, PAN HEAD SELF-TAPPING
RS5-0793-000	13 - 9	GEAR, 22T		7 - 8	
RS5-0794-000	13 - 10	GEAR, 24T	XB6-7300-807	12 - 7	SCREW, TP, M3X8
RS5-0796-000	12 - 1	GEAR, 27T	XD9-0131-000	16 - 4	RING,E
RS5-0797-000	12 - 12	GEAR, 18T	XD9-0159-000	16 - 2	PIN, DOWEL
RS5-0798-000	13 - 11	GEAR, 15T			
RS5-0799-000	13 - 5	GEAR, 51T/17T			
RS5-2501-000	15 - 5	SPRING, COMPRESSION			
RS5-2502-000	15 - 7	SPRING, COMPRESSION			
RS5-2503-000	17 - 5	SPRING, COMPRESSION			
RS5-2504-000	19 - 3	SPRING, COMPRESSION			
RS5-2505-000	19 - 5	SPRING, COMPRESSION			
RS5-2508-000	12 - 6	SPRING, COMPRESSION			
RS5-2510-000	15 - 18	SPRING, COMPRESSION			
RS5-2512-000	19 - 7	SPRING, COMPRESSION			
RS5-8543-020	18 - 1	LABEL, "WARNING HIGH TEMP"			
RS6-0380-000	13 - 6	GEAR, 23T/98T			

**Canon**